

SUPERIORE

**LA CUCINA 36" - 30" models
Installation, use and care manual**

Congratulations

Congratulations and welcome to the SUPERIORE's world. We hope you will enjoy and appreciate the care and attention we put into every detail of your new, state-of-the-art range.

Your SUPERIORE range is designed to offer years of reliable service. This Use and Care Manual will provide the information you need to become familiar with your product's care and operation.

Your complete satisfaction is our ultimate goal. If you have any questions or comments about this product, please contact the dealer from whom you purchased it, contact our Customer Care Service or visit our SUPERIORE channel on Youtube.

We appreciate your choice of a SUPERIORE range and hope that you will choose again our products.

For more information about the complete and growing selection of SUPERIORE products, contact your dealer or visit us online at SUPERIORE.US

Antonio Di Tommaso

CEO

A handwritten signature in black ink, appearing to read "Antonio Di Tommaso". The signature is written in a cursive, flowing style.

WARNING:

If the information in this manual is not followed exactly, a fire or explosion may result causing property damage, personal injury or death.

- Do not store or use gasoline or other flammable vapors and liquids in the vicinity of this or any other appliance.

- **WHAT TO DO IF YOU SMELL GAS:**

- Do not try to light any appliance.
- Do not touch any electrical switch;
- Do not use any phone in your building.
- Immediately call your gas supplier from a neighbor's phone. Follow the gas supplier's instructions.
- If you cannot reach your gas supplier, call the fire department.

- Installation and service must be performed by a qualified installer, service agency or the gas supplier.

CONTENTS

<u>6</u>	Warnings
<u>12</u>	Dimensions
<u>16</u>	Specifications Technical data, 36" models
<u>17</u>	Specifications Technical data, 30" models
<u>18</u>	Clearance Dimensions 36"/30"
<u>20</u>	Electrical & Gas Requirements
<u>21</u>	Gas Requirements
<u>27</u>	General Information
<u>28</u>	Leg Installation/Adjustments/Alignments
<u>29</u>	Anit-tip Device Installation
<u>30</u>	Installation/ Door Removal
<u>31</u>	Connecting Gas & Electrical
<u>32</u>	Performance Checklist
<u>33</u>	Before Using the Range
<u>34</u>	Range Features
<u>38</u>	Surface Operation
<u>39</u>	Burners Operation
<u>40</u>	Oven Functions and Setting
<u>41</u>	Oven Features
<u>42</u>	Using the Oven
<u>43</u>	Baking
<u>46</u>	Convection Bake
<u>47</u>	Defrost
<u>48</u>	Broiling
<u>50</u>	Care and cleaning
<u>51</u>	Cleaning and Maintenance
<u>53</u>	Replacing Oven Light
<u>54</u>	Door Remova
<u>55</u>	Thanksgiven dinner
<u>58</u>	Service Information
<u>59</u>	Troubleshooting
<u>60</u>	Warranty U.S.A. & CANADA
<u>61</u>	Electric diagrams

Warnings

Getting Started Warning and Important Safety Instructions appearing in this manual are not meant to cover all possible conditions and situations that may occur. Common sense, caution, and care must be exercised when installing, maintaining or operating the appliance.

ALWAYS contact the manufacturer about problems or conditions you do not understand.

Recognize Safety Symbols, Words, Labels



Hazards or unsafe practices which WILL result in severe personal injury or death



Hazards or unsafe practices which COULD result in death or severe personal injury



Hazards or unsafe practices which COULD result in minor personal injury.

All safety messages will identify the hazard, tell you how to reduce the chance of injury, and tell you what can happen if the instructions are not followed.

Read and follow all instructions before using this appliance to prevent the potential risk of fire, electric shock, personal injury or damage to the appliance as a result of improper usage of the appliance. Use appliance only for its intended purpose as described in this manual.

To ensure proper and safe operation: Appliance must be properly installed and grounded by a qualified technician. **DO NOT** attempt to adjust, repair, service, or replace any part of your appliance unless it is specifically recommended in this manual. All other servicing should be referred to a qualified servicer. Have the installer show you the location of the gas shutoff valve and how to shut it off in an emergency.

A certified technician is required for any adjustments or conversions to Natural or LP gas.

KEEP THESE INSTRUCTIONS FOR FUTURE REFERENCE



If the information in this manual is not followed exactly, a fire or explosion may result causing property damage, personal injury or death.

WHAT TO DO IF YOU SMELL GAS:

- **DO NOT** try to light any appliance.
- **DO NOT** touch any electrical switch.
- **DO NOT** use any phone in your building.
- Immediately call your gas supplier from a neighbor's phone. Follow the gas supplier's instructions.
- If you cannot reach your gas supplier, call the fire department.

Installation and service must be performed by a qualified installer, service agency or the gas supplier.



TIPPING HAZARD

To reduce the risk of the appliance tipping, it must be secured by a properly installed anti-tip bracket(s).

To make sure the bracket has been installed properly, look behind the range with a flashlight to verify proper installation engaged in the rear top left corner of the range.

- **THIS RANGE CAN TIP**
- **INJURIES TO PERSONS CAN RESULT**
- **INSTALL ANTI-TIP DEVICE PACKED WITH RANGE**
- **SEE INSTALLATION INSTRUCTIONS**



DO NOT use commercial oven cleaners inside the oven. Use of these cleaners can produce hazardous fumes or can damage the porcelain finishes.



To avoid risk of property damage, personal injury or death; follow information in this manual exactly to prevent a fire or explosion. **DO NOT** store or use gasoline or other flammable vapors and liquids in the vicinity of this or any appliance.

Warnings

To Prevent Fire or Smoke Damage

- Be sure all packing materials are removed from the appliance before operating it.
- Keep area around appliance clear and free from combustible materials, gasoline, and other flammable vapors and materials.
- If the appliance is installed near a window, proper precautions should be taken to prevent curtains from blowing over burners.

NEVER leave any items on the top. The hot air from the vent may ignite flammable items and may increase pressure in closed containers which may cause them to burst.

- Many aerosol-type spray cans are **EXPLOSIVE** when exposed to heat and may be highly flammable. Avoid their use or storage near an appliance.
- Many plastics are vulnerable to heat. Keep plastics away from parts of the appliance that may become warm or hot. **DO NOT** leave plastic items on the rangetop as they may melt or soften if left too close to the vent or alighted surface burner.
- Combustible items (paper, plastic, etc.) may ignite and metallic items may become hot and cause burns. **DO NOT** pour spirits over hot foods. **DO NOT** leave oven unsupervised when drying herbs, breads, mushrooms, etc; fire hazard.

In Case of Fire

Turn off appliance and ventilating hood to avoid spreading the flame. Extinguish flame then turn on hood to remove smoke and odor.

- **Worktop:** Smother fire or flame in a pan with a lid or cookie sheet.
- **NEVER** pick up or move a flaming pan.
- **Oven:** Smother fire or flame by closing the oven door. **DO NOT** use water on grease fires. Use baking soda, a dry chemical or foam-type extinguisher to smother fire or flame.
- Grease is flammable and should be handled carefully. **DO NOT** use water on grease fires. Flaming grease can be extinguished with baking soda or, if available, a multipurpose dry chemical or foam type extinguisher. Let fat cool before attempting to handle it. **DO NOT** allow grease to collect around the oven or in vents. Wipe up spillovers immediately.

Child Safety

- **NEVER** leave children alone or unsupervised near the appliance when it is in use or is still hot.
- **NEVER** allow children to sit or stand on any part of the appliance as they could be injured or burned.

- **DO NOT** store items of interest to children over the unit. Children climbing to reach items could be seriously injured.
- Children must be taught that the appliance and children in it can be hot. Let hot utensils cool in a safe place, out of reach of small children. Children should be taught that an appliance is not a toy. Children should not be allowed to play with controls or other parts of the appliance.

Cooking Safety

- To eliminate the hazard of reaching over hot surface burners, cabinet storage should not be provided directly above a unit. If storage is provided, it should be limited to items which are used in frequently and which are safely stored in an area subjected to heat from an appliance. Temperatures may be unsafe for some items, such as volatile liquids, cleaners or aerosol sprays.
- **ALWAYS** place a pan on a surface burner before turning it on. Be sure you know which knob controls which surface burner. Make sure the correct burner is turned on and that the burner has ignited. When cooking is completed, turn burner off before removing pan to prevent exposure to burner flame.
- **ALWAYS** adjust surface burner flame so that it does not extend beyond the bottom edge of the pan. An excessive flame is hazardous, wastes energy and may damage the appliance, pan or cabinets above the appliance. This is based on safety considerations.
- **NEVER** leave a surface cooking operation unattended especially when using high heat setting or when deep fat frying. Boilovers cause smoking and greasy spillovers may ignite. Clean up greasy spills as soon as possible. **DO NOT** use high heat for extended cooking operations.
- **DO NOT** heat unopened food containers, build up of pressure may cause the container to explode and result in injury.
- Use dry, sturdy pot-holders. Damp pot-holders may cause burns from steam. Dish towels or other substitutes should **NEVER** be used as potholders because they can trail across hot surface burners and ignite or get caught on appliance parts.
- **ALWAYS** let quantities of hot fat used for deep fat frying cool before attempting to move or handle.
- **DO NOT** let cooking grease or other flammable materials accumulate in or near the appliance, hood or vent fan. Clean hood frequently to prevent grease from accumulating on hood or

Warnings

filter. When flaming foods under the hood, turn the fan off.

- **NEVER** wear garments made of flammable material or loose fitting or long-sleeved apparel while cooking. Clothing may ignite or catch utensil handles. **DO NOT** drape towels or materials on oven door handles. These items could ignite and cause burns.
- **ALWAY** Space oven racks in the desired positions while oven is cool. Slide oven rack out to add or remove food, using dry, sturdy pot-holders. **ALWAYS** avoid reaching into the oven to add or remove food. If a rack must be moved while hot, use a dry pot-holder.
- **ALWAYS** turn the oven off at the end of cooking.
- Use care when opening the oven door. Let hot air or steam escape before moving or replacing food.
- **NEVER** use aluminum foil to cover oven racks or oven bottom. This could result in risk of electric shock, fire, or damage to the appliance. Use foil only as directed in this guide.
- **PREPARED FOOD WARNING:** Follow food manufacturer's instructions. If a plastic frozen food container and/or its cover distorts, warps, or is other wise damaged during cooking, immediately discard the food and its container. The food could be contaminated.
- If you are "flaming" liquor or other spirits under an exhaust, **TURN THE FAN OFF.** The draft could cause the flames to spread out of control.
- Once the unit has been installed as outlined in the Installation Instructions, it is important that the fresh air supply is not obstructed. The use of a gas cooking appliance results in the production of heat and moisture in the room in which it is installed. Ensure that the kitchen is well-ventilated. Keep natural venting holes open or install a mechanical ventilation device. Prolonged or intensive use of the appliance may call for additional (such as opening a window) or more effective ventilation (such as increasing the level of a mechanical ventilation if present).

Utensil Safety

- Use pans with flat bottoms and handles that are easily grasped and stay cool. Avoid using unstable, warped, easily tipped or loose-handled pans. Also avoid using pans, especially small pans, with heavy handles as they could be unstable and easily tip. Pans that are heavy to move when filled with food may also be hazardous.
- Be sure utensil is large enough to properly contain food and avoid boilovers. Pan size is particularly important in deep fat frying. Be sure

pan will accommodate the volume of food that is to be added as well as the bubble action of fat.

- To minimize burns, ignition of flammable materials and spillage due to unintentional contact with the utensil, **DO NOT** extend handles over adjacent surface burners. **ALWAY** Sturn pan handles toward the side or back of the appliance, not out into the room where they are easily hit or reached by small children.
- **NEVER** let a pan boil dry as this could damage the utensil and the appliance.
- Follow the manufacturer's directions when using oven cooking bags.
- Only certain types of glass, glass/ceramic, ceramic or glazed utensils are suitable for rangetop surface or oven usage without breaking due to the sudden change in temperature. Follow manufacturer's instructions when using glass.
- This appliance has been tested for safe performance using conventional cookware. **DO NOT** use any devices or accessories that are not specifically recommended in this guide. **DO NOT** use eyelid covers for the surface units, stovetop grills, or add-on oven convection systems. The use of devices or accessories that are not expressly recommended in this manual can create serious safety hazards, result in performance problems, and reduce the life of the components of the appliance.
- The flame of the burner should be adjusted to just cover the bottom of the pan or pot. Excessive burner setting may cause scorching of adjacent counter-top surfaces, as well as the outside of the utensil. This is based on safety considerations.

Heating Elements

- **NEVER** touch oven bake and broil burner areas or interior surfaces of oven.
- Bake and broil burners may be hot even though they are dark in color. Areas near burners and interior surfaces of an oven may become hot enough to cause burns.
- During and after use, **DO NOT** touch or let clothing or other flammable materials contact heating elements, areas near elements, or interior surfaces of oven until they have had sufficient time to cool. Other surfaces of the oven may become hot enough to cause burns, such as the oven vent opening, the surface near the vent opening, and the oven door window.

Cleaning Safety

- Turn off all controls and wait for appliance parts to cool before touching or cleaning them. **DO**

Warnings

NOT touch the burner grates or surrounding areas until they have had sufficient time to cool.

- Clean appliance with caution. Use care to avoid steam burns if a wet sponge or cloth is used to wipe spills on a hot surface. Some cleaners can produce noxious fumes if applied to a hot surface.
- No commercial oven cleaner or oven liner protective coating such as aluminum foil should be used in or around any part of the oven. Improper oven liners may result in a risk of electric shock or fire. Keep oven free from grease buildup.

WARNING

NEVER use appliance as a space heater to heat or warm a room to prevent potential hazard to the user and damage to the appliance. Also, **DO NOT** use the range top or oven as a storage area for food or cooking utensils.

About Your Appliance

- For proper oven performance and operation, **DO NOT block or obstruct the oven vent duct located in the backguard/ island trim.**
- Avoid touching oven vent area while oven is on and for several minutes after oven is turned off. When the oven is in use, the vent and surrounding area become hot enough to cause burns. After oven is turned off, **DO NOT** touch the oven vent or surrounding areas until they have had sufficient time to cool.
- Other potentially hot surfaces include rangetop, areas facing the rangetop, oven vent, surfaces near the vent opening, oven door, areas around the oven door and oven window.
- The misuse of oven doors (e.g. stepping, sitting, or leaning on them) can result in potential hazards and/or injuries.

Power Failure

If power failure occurs, the electric igniters will not work. No attempt should be made to operate the appliance during a power failure. Make sure the oven control is in the "OFF" position. Momentary power failure can occur unnoticed. The range is affected only when the power is interrupted. When it comes back on, the range will function properly without any adjustments. A "brown-out" may or may not affect range operation, depending on how severe the power loss is.

WARNING

ELECTRICAL SHOCK HAZARD



DO NOT touch a hot oven light bulb with a damp cloth as the bulb could break. Should the bulb break, disconnect power to the appliance before removing bulb to avoid electrical shock.

WARNING

NEVER cover any slots, holes or passages in the oven bottom or cover an entire rack with materials such as aluminum foil. Doing so blocks air flow through the oven and may cause carbon monoxide poisoning. Aluminum foil linings may also trap heat, causing a fire hazard.

WARNING

ELECTRICAL SHOCK HAZARD



Disconnect the electric power at the main fuse or circuit breaker before replacing bulb.

WARNING

BURN OR ELECTRICAL SHOCK HAZARD



Make sure all controls are OFF and oven is COOL before cleaning. Failure to do so can result in burns or electrical shock.

CAUTION


To avoid sickness and food waste, **DO NOT** allow defrosted food to remain in the oven for more than two hours.

NOTICE

DO NOT turn the Temperature Control on during defrosting. Turning the convection fan on will accelerate the natural defrosting of the food without the heat.

Warnings

CAUTION

 **BURN HAZARD**
The oven door, especially the glass, can get hot. **Danger of burning: DO NOT touch the glass!**

CAUTION

You must carefully check the food during the dehydration process to ensure that it does not catch fire.

CAUTION

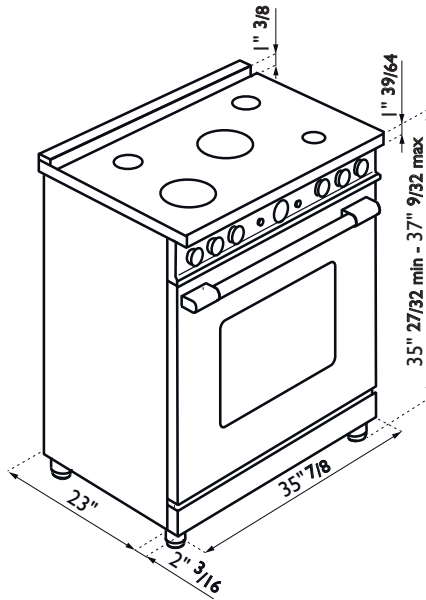
DO NOT store items of interest to children over the unit. Children climbing to reach items could be seriously injured.

NOTICE

The range is provided with an automatic cooling system, designed to start operating only when the range becomes hot during use, whether using the worktop or the oven or both simultaneously. The cooling system can also switch on and off more times during a single cooking cycle and continue operating for few minutes after the end of the same cooking cycle. In the event of air blowing out of the backguard/island trim holes, this is a normal operating function and does not require any action from the user.

Dimensions

36" SUPERIORE, La Cucina Line ranges

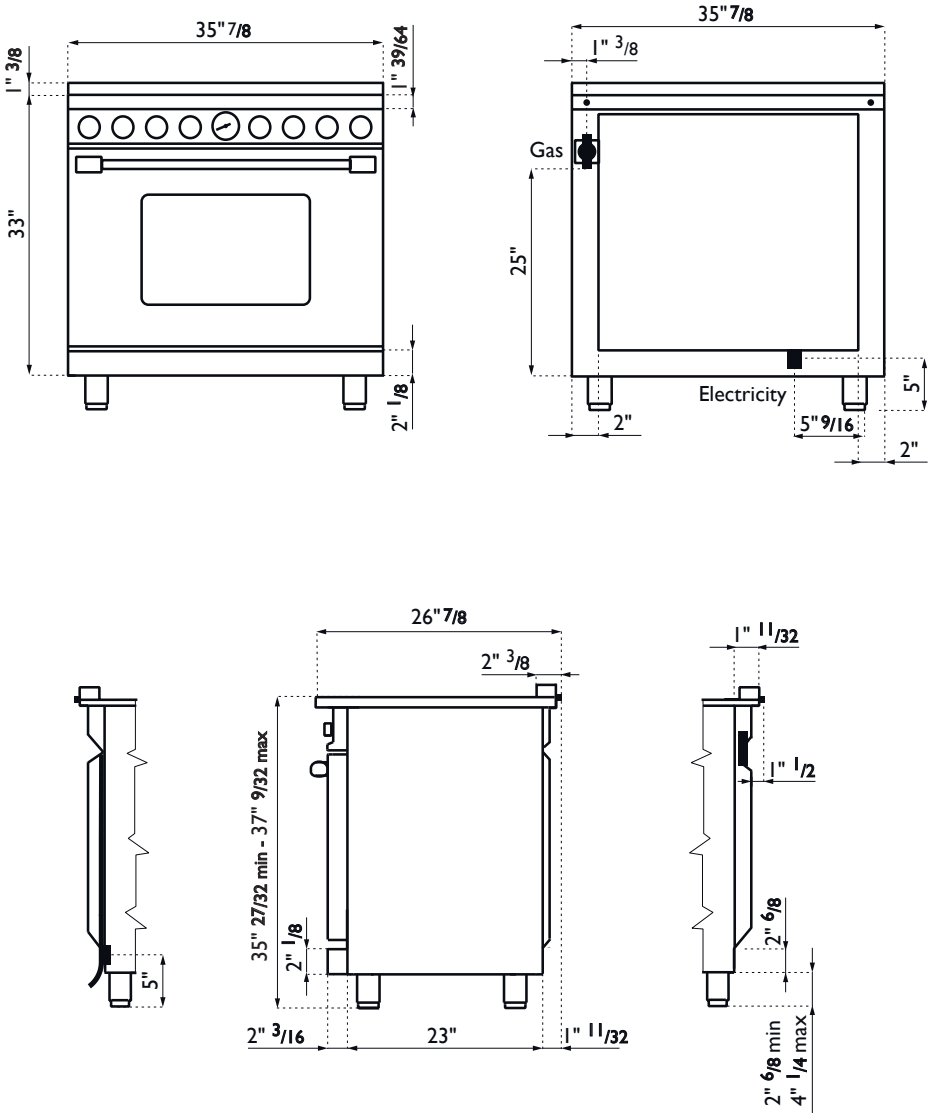


Note: Unit shown with island trim.

Note: All gas ranges are equipped with spacer on the back ($25/64$) to prevent overheating of the wall.

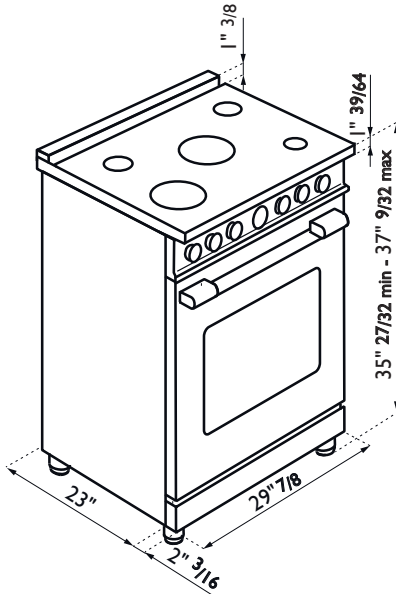
Dimensions

36" SUPERIORE, La Cucina Line ranges



Dimensions

30" SUPERIORE, La Cucina Line ranges

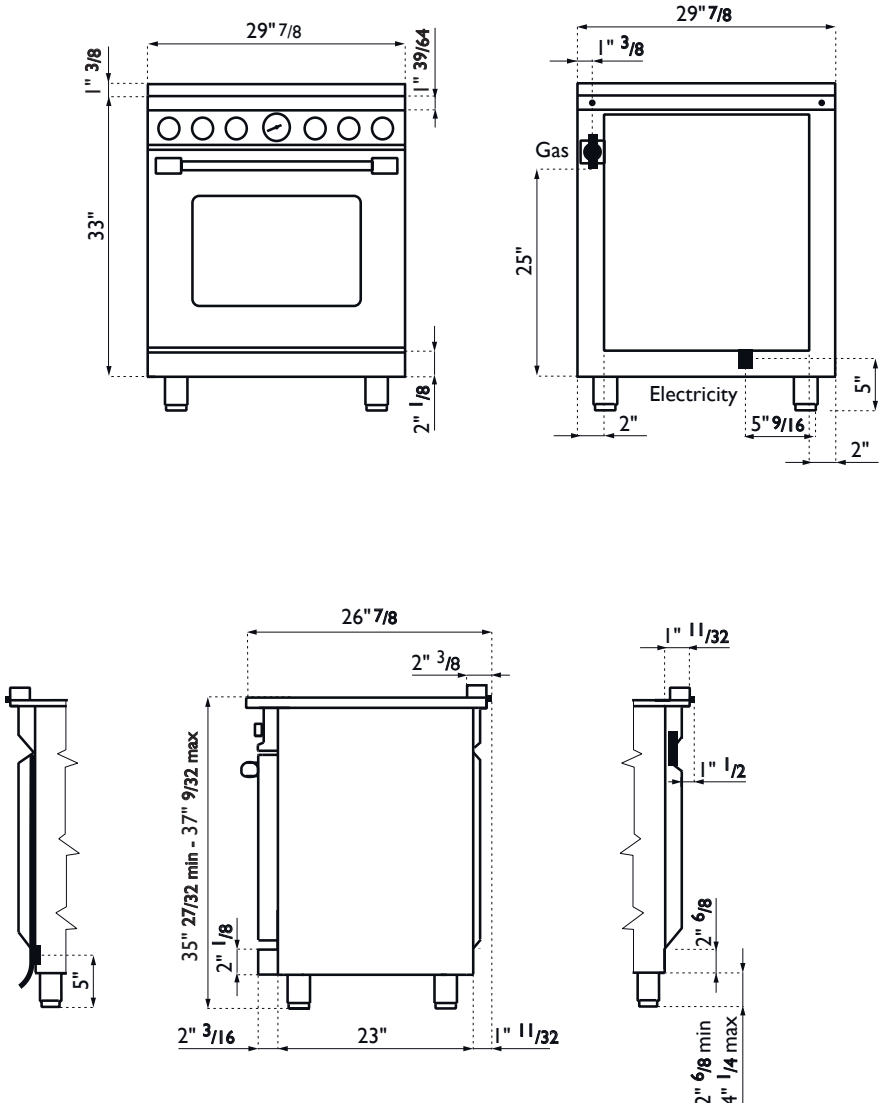


Note: Unit shown with island trim.

Note: All gas ranges are equipped with spacer on the back ($\frac{25}{64}$) to prevent overheating of the wall.

Dimensions

30" SUPERIORE, La Cucina Line ranges



Specifications Technical data, 36” models

Burners - injectors and volume, ranges 36”									
	Natural 4”			LP/Propane 11”			By-pass		
	Inj.	W	BTU/h	Inj.	W	BTU/h	Ø	W	BTU/h
Small burner	92	-	3600	56	-	3600	28	-	1100
Medium burner (*)	117	-	6500	70	-	6500	34	-	1300
Large burner	155	-	11000	93	-	11000	44	-	2700
Power burner with simmer	Ext. ring 137 (2) 80	Int. ring -	18000	82 (2) 50	-	18000	60 27	-	4700
Total gas power	61600						-		
Oven ranges	200	-	16000	115	-	16000	65	-	4400
Broil ranges	155	-	11000	92	-	11000	-	-	-
Feeding-all gas ranges	120V 60 Hz 170W								
Interior dimensions	28 ^{3/4} × 19 ^{57/64} × 20 ^{31/64}								

(*) 2 burners

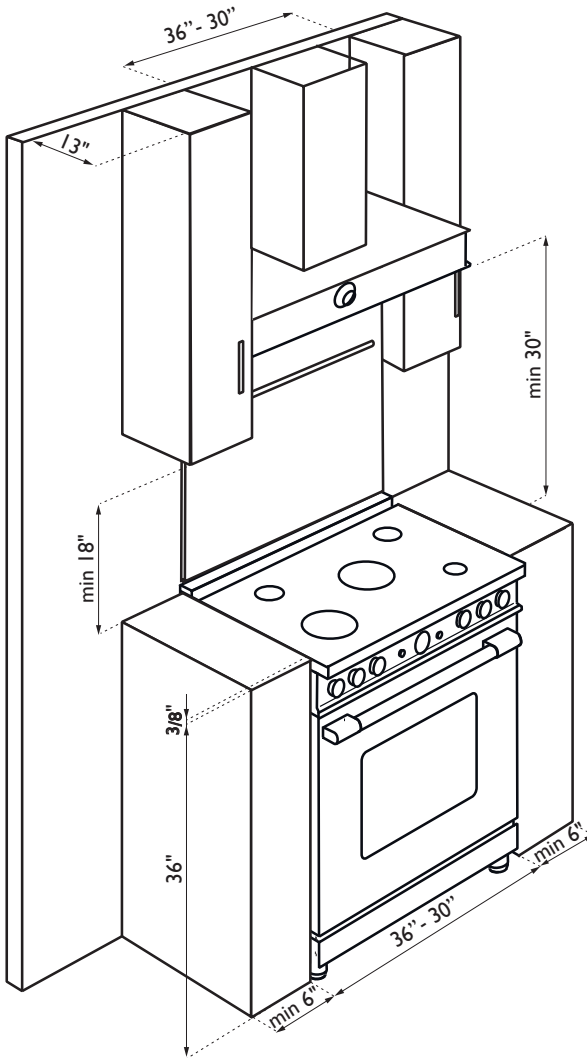
Specifications Technical data, 30” models

Burners - injectors and volume, ranges 30“

	Natural 4”			LP/Propane 11”			By-pass			
	Inj.	W	BTU/h	Inj.	W	BTU/h	Ø	W	BTU/h	
Small burner	92	-	3600	56	-	3600	28	-	1100	
Medium burner (*)	117	-	6500	70	-	6500	34	-	1300	
Large burner	155	-	11000	93	-	11000	44	-	2700	
Power burner with simmer	Ext. ring Int. ring	137 (2) 80	-	18000	82 (2) 50	-	18000	60 27	-	4700
Total gas power	61600						-			
Oven ranges	180	-	14000	180	-	14000	52	-	3000	
Broil ranges	135	-	8000	82	-	8000	-	-	-	
Feeding-all gas ranges	120V 60 Hz 170W									
Interior dimensions	24 ^{13/64} × 19 ^{57/64} × 20 ^{31/64}									

(*) 2 burners

Clearance Dimensions 36"/30"



- This range may be installed directly adjacent to existing 36" (91.4 cm) high base cabinets.

IMPORTANT: The side trim **MUST** be 3/8" (0.95 cm) above the adjacent base cabinet countertop. This can be accomplished by raising the unit adjusting the legs.

- The range **CANNOT** be installed directly adjacent to sidewalls, tall cabinets, tall appliances, or other side vertical surfaces above 36" (91.4 cm) high. There must be a minimum of 6" (15.2 cm) side clearance from the range to such combustible surfaces above the 36" (91.4 cm) counter height.
- Within the 6" (15.2 cm) side clearance to combustible vertical surfaces above 36" (91.4 cm), the maximum wall cabinet depth must be 13" (33.0 cm) and wall cabinets within this 6" (15.2 cm) side clearance must be 18" (45.7 cm) above the 36" (91.4 cm) high countertop.
- Wall cabinets above the range must be a minimum of 42" (106.7 cm) above the range cooking surface for the full width of the range. This minimum height requirement does not apply if a range hood is installed over the cooking surface.

Note: If a range hood is installed, wall cabinets above the range have a different minimum clearance height.

CAUTION

Burn hazard



To avoid risk of personal injury; the use of cabinets for storage above the appliance may result in a potential burn hazard. Combustible items may ignite, metallic items may become hot and cause burns. If a cabinet storage is to be provided the risk can be reduced by installing a range hood that projects horizontally a minimum 5" (12.7 cm) beyond the bottom of cabinets.

Clearance Dimensions 36"/30"

The bottom of a standard hood should be 30" (76.2 cm) min. to 36" (91.4 cm) max to above the countertop. This would typically result in the bottom of the hood being 66" (167.6 cm) to 72" (182.9 cm) above the floor. Refer to the range hood installation instructions for additional information. These dimensions provide for safe and efficient operation of the hood.

Important: *There must be a minimum of 6" (15.2 cm) clearance from rear of range to a **combustible** wall. Clearances from non-combustible materials are not part of the ANSI Z21. 1 scope and are not certified by CSA. Clearances to non-combustible materials must be approved by the authority having jurisdiction.*

Electrical & Gas Requirements

Electrical Requirements

Check your national and local codes regarding this unit. This range requires 120VAC/60 Hz; 4 ft. (121.9 cm), 3-wire cord with grounded 3-prong plug attached to unit. See “Electrical Connection” section for grounding instructions. Must be fused separately from any other circuit.



ELECTRICAL SHOCK HAZARD

To avoid the risk of electrical shock, personal injury or death; verify electrical power is turned off at the breaker box and gas supply is turned off until the range is installed and ready to operate, installation by an authorized installer only.

Gas Connection

The appliance must be disconnected from the gas supply piping system during any pressure testing of that system.

The gas supply (service) line must be the same size or greater than the inlet line of the appliance. This range uses a 1/2" (1.3 cm) IDNPT (Sch40) inlet. Sealant on all pipe joints must be resistive to LP gas.

The range is designed specifically for natural gas or liquid propane (LP) gas. Before beginning installation verify that the model is compatible with the intended gas supply.

Manual shut-off valve:

This installer-supplied valve must be installed in the gas service line before the appliance in the gas stream and in a location where it can be reached quickly in the event of an emergency. Any opening behind the range shall be sealed.

In Massachusetts: A “T” handle type manual valve must be installed in the gas supply line to the appliance.

IMPORTANT: Any conversion required must be performed by your dealer or a qualified licensed plumber or gas service company. Please provide the service person with this manual before work begins.

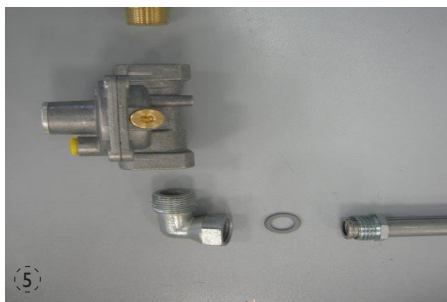
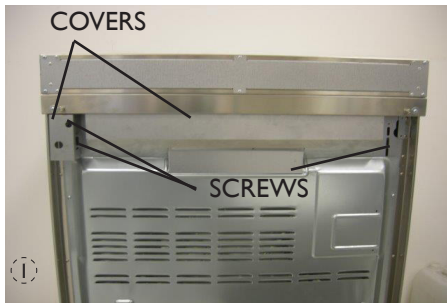
Pressure Regulator

- All ranges have a pressure regulator on the incoming service line for safe and efficient operation, since service pressure may fluctuate with local demand.
External regulators are not required on this range since a regulator is supplied with each unit. Under no condition by-pass this regulator.
- Manifold pressure should be checked with a manometer; natural gas requires 4.0" W.C.P. and LP gas requires 11.0" W.C.P. Incoming line pressure upstream from the regulator must be 1" W.C.P. higher than the manifold pressure in order to check the regulator. The regulator used on this range can withstand a maximum input pressure of 1/2" PSI (14.0" W.C.P.). If the line pressure is in excess of that amount, a step down regulator will be required.

Gas Requirements

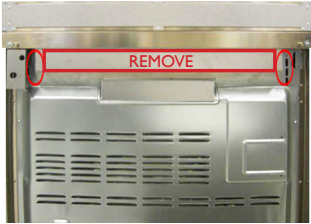
TO INSTALL PRESSURE REGULATOR

- 1 - Remove the 2 covers on the back by unscrewing the 3 screws indicated at pag 21 step 1 an 2.
- 2 - Take from the top of packaging the parts shown in the picture at pag 21 step 5 to assemble the pressure regulator as indicated at pag 21 step 3.
- 3 - Screw the assembled pressure regulator on the range like shown on picture at pag 21 step 4. Pay attention to the vertical alignment of the same pressure regulator.
- 4 - Reassemble the cover on the back on the range like shown in picture at pag 21 step 6.



Gas Requirements

To perform the following operation is necessary to have easy access to the back the range. While performing this please note that the range must not be connected to the power and or gas lines.



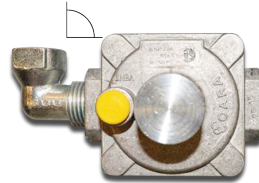
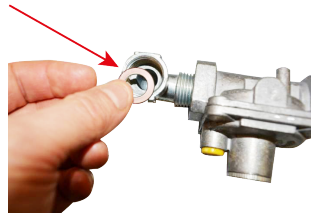
1 - Remove the main back cover unscrewing the two screws.



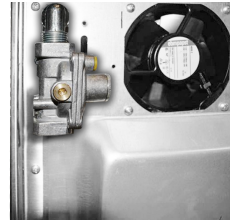
2 - Remove the gas regulator back cover unscrewing the single screw.



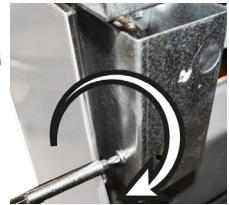
3 - Fit the elbow on the regulator. Put the gasket, in it.



4 - Connect the regulator to the manifold and re-install the main back cover.

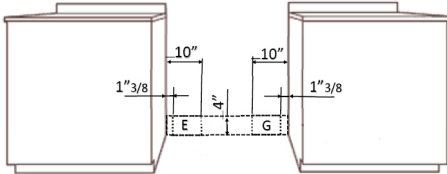


5 - Re-install the gas regulator backcover and fix it with two screws.



Gas Requirements

Flexible Connections: if the unit is to be installed with flexible couplings and/or quick-disconnect fittings, the installer must use a heavy-duty AGA design-certified flexible connector or at least 1/2" (1.3 cm) ID NPT (with suitable strainreliefs) in compliance with ANSI Z21.41 and Z21.69.



G - area for gas connection
E - area for electric connection

In Canada: CAN I-6, 10-88 metal connectors for gas appliances and CAN I-6.9 M79 quick disconnect devices for use with gas fuel.

In Massachusetts: This appliance must be installed with a 36" (3-foot) long flexible gas connector.

GAS CONVERSION WARNING!

Before carrying out this operation, disconnect the appliance from gas and electricity. Gas conversion shall be conducted by a factory-trained professional. Call the customer service hotline to identify a factory-trained professional near your home. The gas conversion procedure for this range includes 6 steps:

1. Pressure regulator
2. Surface burners
3. Main oven burner
4. Broiler burner
5. Visual checks prior to closure of oven bottom panel
6. Adjustment of minimum setting.

The conversion is not completed if all 6 steps have not been concluded properly. Before performing the gas conversion, locate the package containing the replacement nozzle shipped with every range.

IMPORTANT: each nozzle has a number indicating its flow diameter printed on the body. Consult the table on "Specifications Technical data" paragraph for matching nozzles to burners. Save the nozzles removed from the range for future use.

STEP 1: PRESSURE REGULATOR

The pressure regulator supplied with the appliance is a convertible type pressure regulator for use with Natural Gas at a nominal outlet pressure of

4" w.c. or LP gas at a nominal outlet pressure of 11" w.c. and it is pre arranged from the factory to operate with one of these gas/pressure as indicated in the labels affixed on the appliance, package and Instruction booklet.

To convert the regulator for use with other liquid propane LP gas:

1. Unscrew by hand the upper cap of the regulator, remove the white plastic attachment from the cap, reverse its direction and screw it again firmly against the cap. The white plastic attachment must be turned as follows for NATURAL GAS and as reversed for LP/PROPANE GAS



NATURAL GAS



LP/PROPANE GAS

2. Screw by hand the metal cap in the original position on the regulator.



Gas Requirements

STEP 2: SURFACE BURNERS

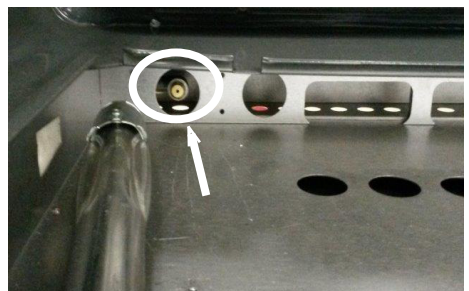
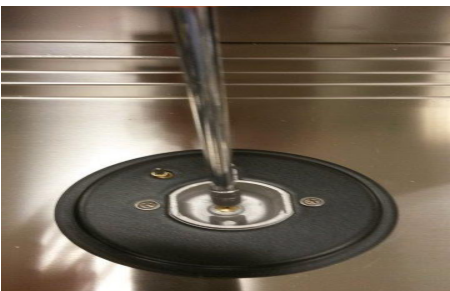
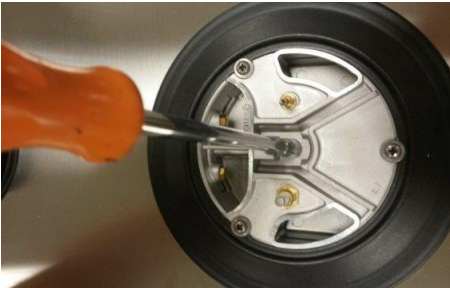
To replace the nozzles of the surface burners, lift up the burners and unscrew the nozzles shipped with the range using a 7 mm (sochet wrench). Replace nozzles using the conversion set supplied with the range or by a Tecno authorized parts warehouse. Each nozzle has a number indicating its flow diameter printed on the body. Consult the table on "Specifications Technical data" paragraph for matching nozzles to burners.

STEP 3 OVEN BURNER

To replace the nozzles of the main oven burner, start by removing the bottom panel of the oven. Loose the 2 screw located on the left and right sides of the burner and the burner from its support.

ATTENTION: pay extra attention to avoid damage to the igniter and thermocouple.

Unscrew the nozzle located inside the gas fitting using a 10 mm or 7 mm socket wrench. (It depends on type of injector).



Gas Requirements

Replace the nozzle using the conversion set supplied with the range or by a Superiore authorized parts warehouse. Each nozzle has a number indicating its flow diameter printed on the body. Consult the table on "Specifications Technical data " paragraph for matching nozzles to burners.

Air adjustment is not needed.



STEP 4 BROILER BURNER

Loosen the 2 screws on left and right sides and pull out the burner from its support burner from its support.

ATTENTION: pay extra attention to avoid damage to the igniter and thermocouple.



Using a 7 mm or 10 mm socket wrench to unscrew the nozzle. Replace the nozzle using the conversion set supplied with the range or by a Tecno authorized parts warehouse. Each nozzle has a number indicating its flow diameter printed on the body. Consult the table on "Specifications Technical data " paragraph for matching nozzles to burners.

ATTENTION: Air adjustment is not needed.



STEP 5 VISUAL CHECKS

Before reinstalling the bottom panel, the following visual check must be performed to ensure that the conversion has been carried out properly and without damage to other components of the range.

OVEN IGNITER AND THERMOCOUPLE POSITION

The appropriate gap between the tip of the spark plug or thermocouple and the burner shall be approximately 1/8".



Gas Requirements

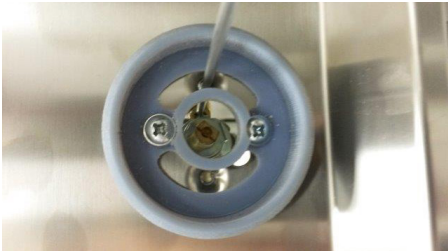
The tip of the spark plug or thermocouple must fully overlap at least the first gas emission hole of the burner. After performing all these visual checks, reinstall the bottom panel of the oven compartment and proceed to setting the minimum for each burner.

STEP 6: MINIMUM FLAME ADJUSTMENT

WARNING! These adjustments should be made only for use of the appliance with natural gas. For use with liquid propane gas, the By-pass screw must be fully turned in a clockwise direction.

SURFACE BURNERS

1. Light one burner at a time and set the knob to the MINIMUM position (small flame).
2. Remove the knob.
3. The range is equipped with a safety valve. Using a small size slotted screwdriver, locate the By-pass screw valve on the valve body and turn it to the right or left until the burner flame is adjusted to desired minimum.
4. Make sure that the flame does not go out when switching quickly from the MAXIMUM to the MINIMUM position.



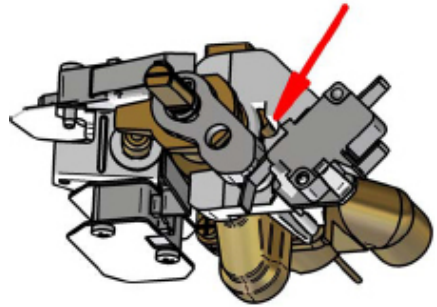
For surface worktop burners



For simmer burners, on the tap in the right

OVEN BURNER

1. Set the oven temperature control knob to the MAXIMUM setting.
2. Close the oven door and operate the oven for at least 10 minutes.
3. Set the knob to the MINIMUM setting
4. Remove the knob.
5. With a slotted screwdriver turn the choking screw (bypass screw at the left side of the thermostat bar) and, while observing the flame at the same time through the bottom oven porthole, evaluate the consistency of the flame so it remains on when switching quickly from MINIMUM to MAXIMUM setting.



General Information

READ AND FOLLOW ALL WARNING AND CAUTION INFORMATION WHEN INSTALLING THIS APPLIANCE.

- All openings in the wall behind the appliance and in the floor under the appliance must be sealed.
- Do not obstruct the flow of combustion and air ventilation.

CAUTION

Avoid any damage to oven vents.

The vents need to be unobstructed and open to provide proper airflow for optimal oven performance.

CAUTION

The cooling fans should be working when the unit is in operation, until the appliance has reduced its external temperatures. If you notice the cooling fans are not operating or you observe unusual or excessive noise coming from the cooling fans, contact a SUPERIORE Service Center before continuing operation. Failure to do so can result in damage to the oven or surrounding cabinets.

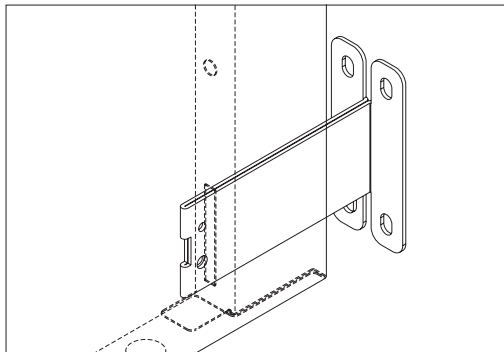
Moving, Handling and Unpacking

Remove and discard all packing materials, including cardboard and tape on the outside and inside of the range. Remove the burner grates and styrofoam off the top cooking surface. Be sure to remove the burner caps packaged in styrofoam below the burner grates.

Do not discard the anti-tip metal bracket supplied with the range. This is the anti-tip device and must be installed with the unit. Refer to “Anti-tip Device Installation” section.

Some stainless steel parts may have a plastic protective wrap which must be peeled off. The interior should be washed thoroughly with hot, soapy water to remove film residues and any dust or debris before being used, then rinsed and wiped dry.

Solutions stronger than soap and water are rarely needed.



Leg Installation/Adjustments/Alignment



Superiore ranges must be used only with the legs properly installed.



Four height adjustable stainless steel legs, assembled under the bottom of the range

Four height adjustable stainless steel legs are delivered with the range in the polystyrene container situated over the appliance.

Before installing the legs, position the appliance near its final location as the legs are not suitable for moving the appliance over long distances.



After unpacking the range, raise it enough to insert the legs in the appropriate receptacles situated on the lower part of the appliance. Lower the range gently to keep any undue strain from legs and mounting hardware. If possible use a pallet or lift jack instead of tilting the unit.

NOTE: please install the front legs first, and then the back legs, to avoid any damage to the unit.

Adjust leg height to the desired level by twisting the inside portion of the leg assembly until the proper height is reached. Check with a level that the worktop alignment is perfectly level.

Insert the legs in the appropriate receptacles

Remember that is indicated to set the high corner of range so that the top of side trim is $\frac{3}{8}$ " (0.95 cm) above countertop. (see paragraph "Dimension")

Anti-tip Device Installation



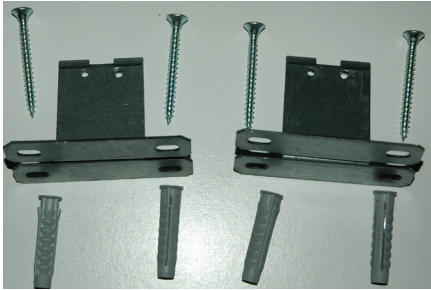
WARNING



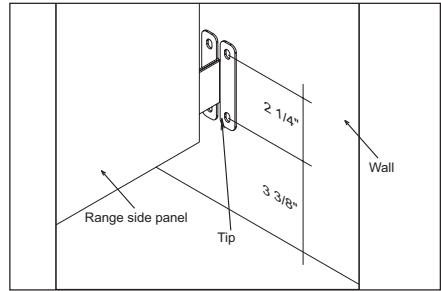
TIPPING HAZARD:

To reduce the risk of property damage or personal injury; install anti-tipping device provided in accordance with the installation instructions in this document. Device must be engaged properly to prevent product from tipping over.

TIPPING



Kit enclosed with the range. Mark and drill holes where the bracket will be located.



Measure from floor to the anti-tip bar located in a slit on the back of the range.

GROUND FIXING BRACKETS

Adjust the range height by regulating the feet, until you reach the desired cooktop height. Fix the components B to the ground, according to width Y (see below chart).

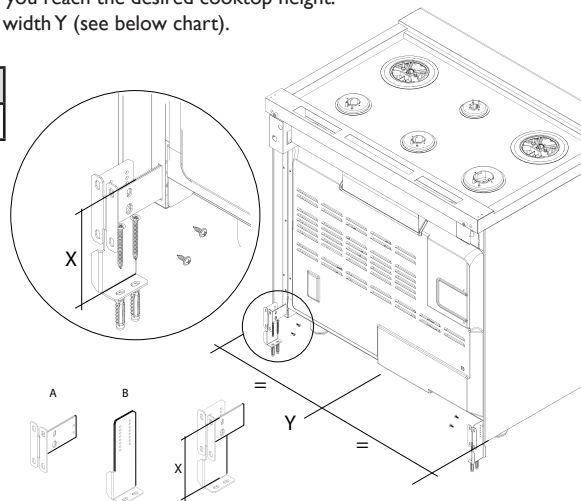
	30"	36"
Y	28" ^{35/64}	34" ^{17/32}

Insert the component A in the hole in the back of the cooker and measure the distance X (from the upper edge of the hole to the ground).

Fix A to B with the screws, keeping the distance X.

Repeat the same sequence on the other side of the product.

Slide the range towards the wall until the brackets A are well into the holes in the back of the product.



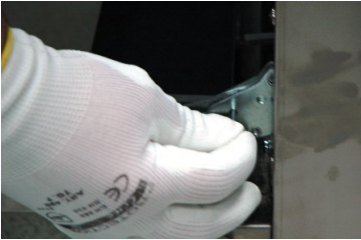
Installation/Door removal



NOTICE

DO NOT use the handle or oven door to lift the oven. **DO NOT** lift or carry the door by the handle. Removing the door must be done by your dealer, a qualified licensed plumber, or certified gas installer.

①



Door Removal

1)- Open the door completely. Place the pins, supplied with unit, in pin hole. For personal safety, **ONLY** use pins supplied with the unit.

②



2)- Grasp the door as indicated in the photos below and turn up until you perceive the block.

③



3)- Lift the door up and extract.

Connecting Gas & Electric



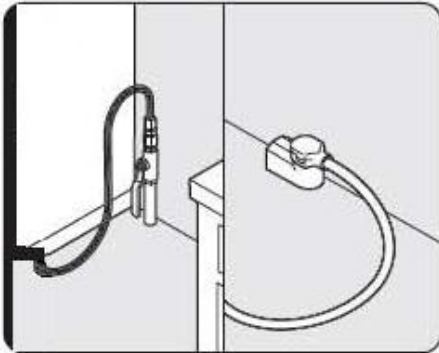
DANGER



GAS LEAK HAZARD

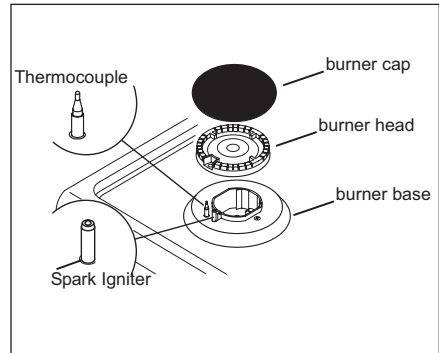
To avoid risk of personal injury or death; leak testing of the appliance must be conducted according to the manufacturer's instructions. Before placing appliance in operation, always check for gas leaks with soapy water solution.

• **DO NOT USE AN OPEN FLAME TO CHECK FOR GAS LEAKS.**



Connect gas and electrical.

Before placing appliance in operation, always check for gas leaks. This must be performed by your dealer, a qualified licensed plumber, or gas service company.



Burner caps are packed in styrofoam top pack with the grates. Place burner on top of range. Place burner grate on top of burner cap and grate support.

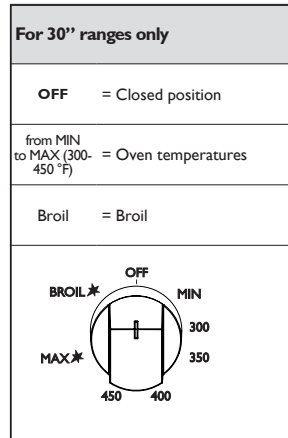
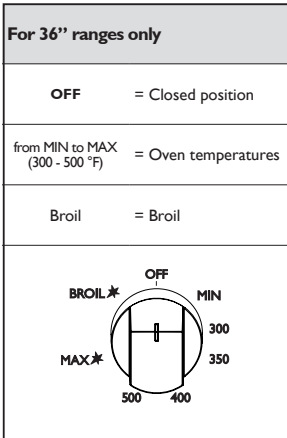
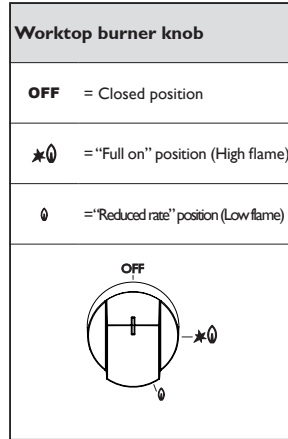
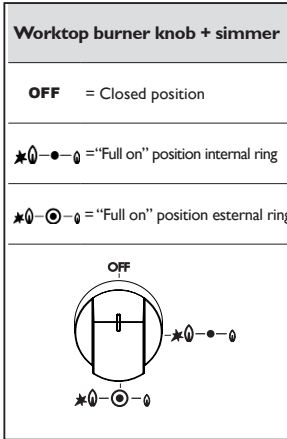
Final Preparation

•All stainless steel body parts should be wiped with hot, soapy water and with a liquid cleaner designed for this material. If buildup occurs, **DO NOT** use steel wool, abrasive cloths, cleansers, or powders! If it is necessary to scrape stainless steel to remove encrusted materials, soak with hot, wet cloths to loosen the material, then use a wool or nylon scraper. **DO NOT** use a metal knife, spatula, or any other material tool to scrape stainless steel! Scratches are almost impossible to remove.

Performance Checklist

A qualified installer should carry out the following checks:

- Check top burner ignition. Push and turn the knob "Full on" position. The low flame should light at every port.
- Check oven bake function bake burner on full power.
- Check convection broil function broil burner at full power.
- Check convection fans function convection fans comes on when switch is turned on.
- **Convection fans do not operate when broils working.**



Before Using the Range

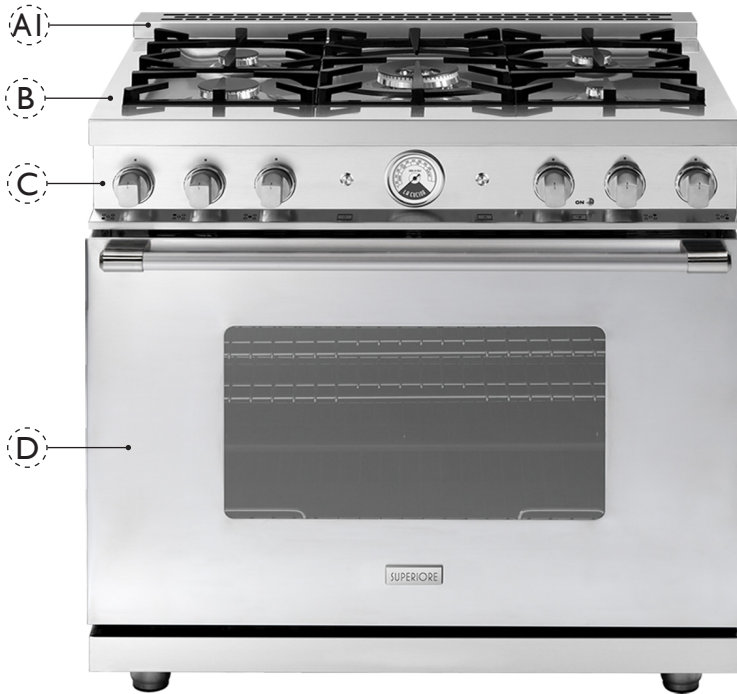
All products are wiped clean with solvents at the factory to remove any visible signs of dirt, oil, and grease which may have remained from the manufacturing process. Before starting to cook, clean the range thoroughly with hot, soapy water. There may be some burn off and odors on first use of the appliance this is normal.

Oven

Important! Before first use, wipe interior with soapy water and dry thoroughly. Then set the oven selector to bake, the thermostat to 450°F or 500 °F, and operate for an hour.

This appliance is certified by Star-K to meet strict regulations in conjunction with specific instructions found on www.star-k.org

Range Features: RL36 I ...



A. Worktop Profile

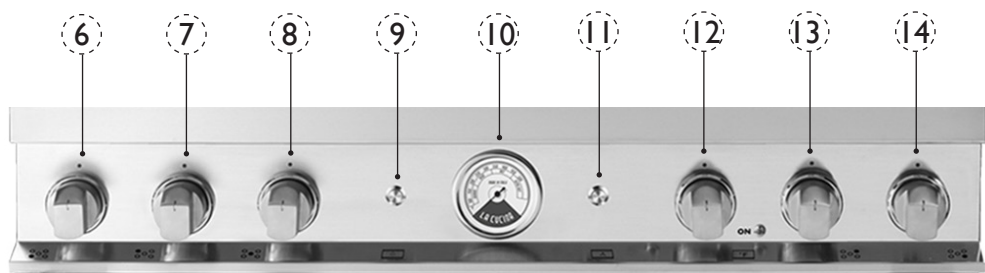
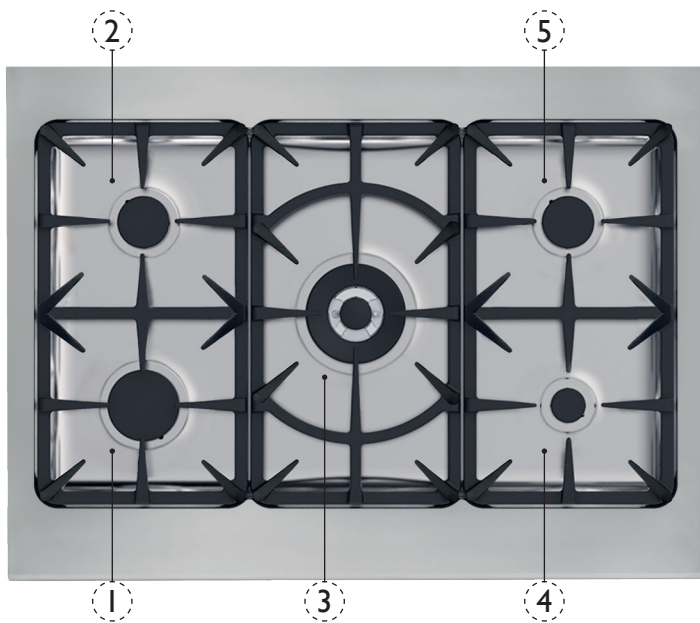
A1. If supplied with island trim

B. Worktop

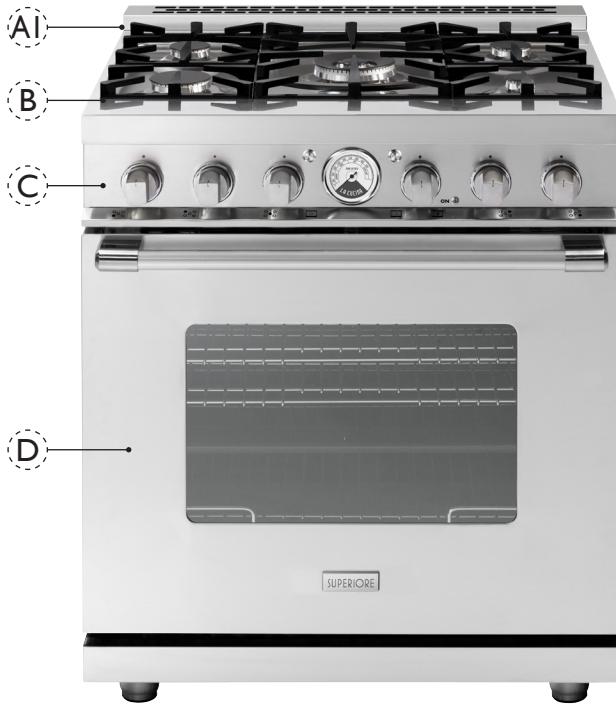
1. Left front large burner 1100 Btu/h
2. Left rear medium burner 6500 Btu/h
3. Center power burner 18000 Btu/h
4. Right front small burner 3600 Btu/h
5. Right rear medium burner 6500 Btu/h

C. Control Panel

6. Left front large burner control knob
7. Left rear medium burner control knob
8. Center power burner zone control knob
9. Switch light
10. Thermometer
11. Switch convection
12. Oven temperature control knob
13. Right rear medium burner control knob
14. Right front small burner control knob



Range Features: RL30 I ...



A. Worktop Profile

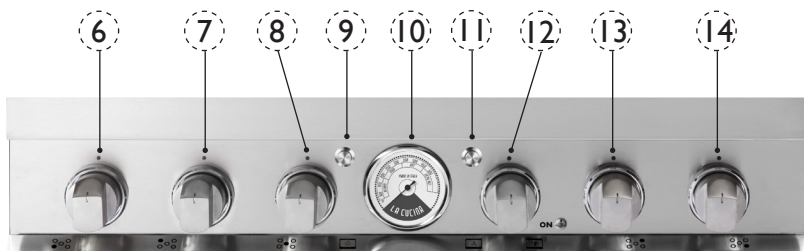
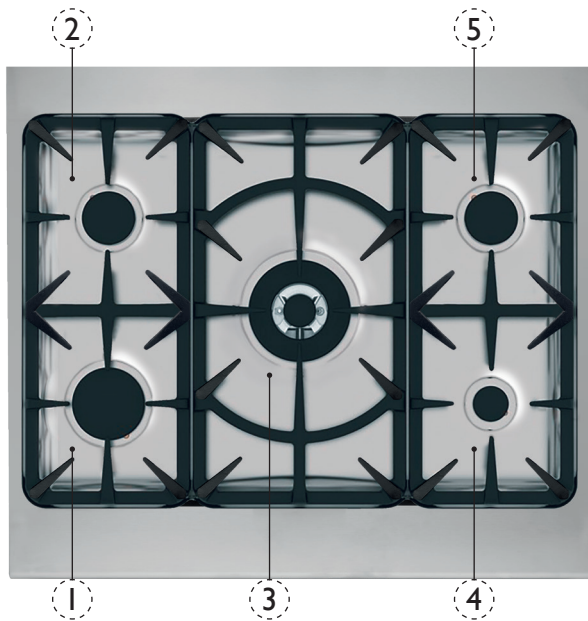
A1. If supplied with island trim

B. Worktop

1. Left front large burner 1100 Btu/h
2. Left rear medium burner 6500 Btu/h
3. Center power burner 18000 Btu/h
4. Right front small burner 3600 Btu/h
5. Right rear medium burner 6500 Btu/h

C. Control Panel

6. Left front large burner control knob
7. Left rear medium burner control knob
8. Center power burner zone control knob
9. Switch light
10. Thermometer
11. Switch convection
12. Oven temperature control knob
13. Right rear medium burner control knob
14. Right front small burner control knob



Surface Operation

Surface Cooking Tips

Your range is equipped with a variety of different sized surface burners. Below is a guide for which burners work best for certain cooking applications:

Burner	Use
central 18,000 BTU	Quick water boiling Deep-fat frying in large utensil
central simmer 750 BTU	Melting small quantities Steaming rice Simmering sauces
front right 3,600 BTU	Melting large quantities Low-temperature frying (eggs, etc.) Simmering large quantities Heating milk, cream sauces, gravies, and puddings
rear left and rear right 6,500 BTU	Sauteing and browning, braising, and pan frying Maintaining slow boil on large quantities
front left 11,000 BTU	High-temperature frying Pan broiling Maintaining fast boil on large quantities

Note: models with induction zones are provided only with the burners on the right.

Use low or medium flame heights when cooking in vessels that are poor conductors of heat, such as glass, ceramic, and cast-iron. Reduce the flame height until it covers approximately 1/3 of the cooking vessel diameter. This will ensure more even heating within the cooking vessel and reduce the likelihood of burning or scorching the food.

- Reduce the flame if it is extending beyond the bottom of the cooking vessel. A flame that extends along the sides of the vessel is potentially dangerous, heats the utensil handle and kitchen instead of the food, and wastes energy.
- Reduce the flame height to the minimum level necessary to perform the desired cooking process. Remember that food cooks just as quickly at a gentle boil as it does at a rolling boil. Maintaining a higher boil than is necessary wastes energy, cooks away moisture, and causes a loss in food flavor and nutrient level.
- The minimum pot or pan (vessel) diameter recommended is 6" (15 cm) on the larger burners. Pots or pans as small as 4" (10 cm) should be used on the smaller burners.

Cooking Vessels

Each cook has his or her own preference for the particular cooking vessels that are most appropriate for the type of cooking being done. Any and all cooking vessels are suitable for use in the range and it is not necessary to replace your present domestic vessels with commercial cookware. This is a matter of personal choice. As with any cookware, yours should be in good condition and free from excessive dents on the bottom to provide maximum performance and convenience.


Note: When using big pots and/or high flames, it is recommended to use the front burners. There is more room in the front and potential cleanup at rear of appliance due to staining or discoloration will be minimized.


Burners Operation


Lighting Burners

All burners are ignited by electric ignition. There are no open-flame, “standing” pilots.

Work-top Burners

To light the surface burners, push and turn the appropriate control knob anticlockwise to maximum flow position . This control is both a gas valve and an electric switch. When gas is permitted to flow to the burners, the electric igniters start sparking. On all surface igniters you should hear a “clicking” sound. If you do not, turn off the control and check that the unit is plugged in and that the fuse or circuit breaker is not blown or tripped.

Within a few moments, enough gas will have traveled to the burner to light. When the burner lights, turn the burner control to any position from maximum  to minimum





 flow position to adjust the flame size. Setting the proper flame height for the desired cooking process and selecting the correct cooking vessel will result in superior cooking performance, while also saving time and energy.



Power burner with simmer



The range is provided with a power burner with simmer, a special burner featuring a very high flexible range of cooking settings: from 750 Btu/h for simmering, melting or steaming rice, to 18000 Btu/h for the most powerful performance.




To light the surface burners, push and turn the appropriate control knob anticlockwise to maximum power of inner ring.

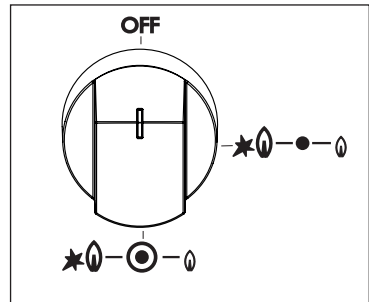
The inner ring lights at its maximum power. Then you can continue to use only the inner ring and adjust the flame power by turning the control knob from  to  position. If you need to light on also the external ring, continue to turn anticlockwise the knob and make a little pressure on it in order to cross the lock located after the minimum power position of internal ring. The external burner lights on; flame is adjustable turning the knob from  to  position.

Worktop burner knob + simmer

OFF = Closed position

  = “Full on” position internal ring

   = “Full on” position external ring



Oven Functions and Settings

BAKE (Natural Airflow Bake)

Use this setting for baking, roasting, and casseroles.

CONVECTION BAKE

Use this setting to bake and roast foods at the same time with minimal taste transfer.

BROIL

Use this setting for broiling dark meats at 1" thickness or less where rare or medium doneness is desired.

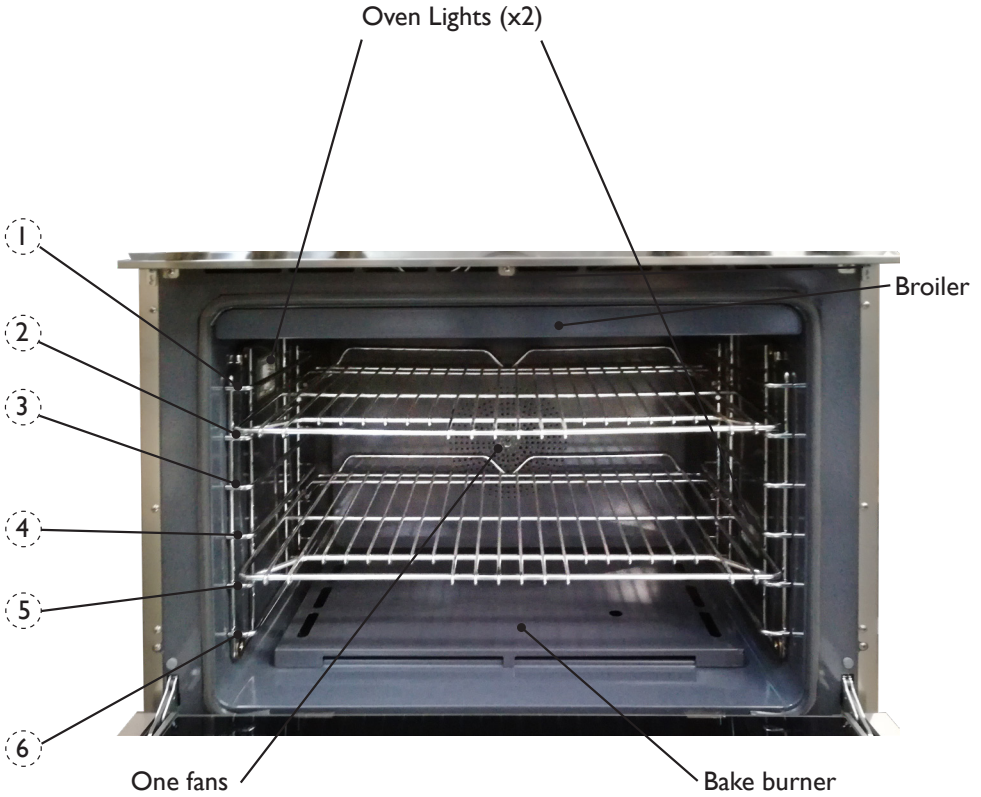
DEFROST

Use this function to defrost foods.

LIGHT

Use this function to see the interior of the cavity.

Oven Features



Rack Positions 30" and 36" ranges

The oven has six rack positions and is equipped with two racks.

Position 1 is the farthest from the oven bottom. Position 6 is the closest to the oven bottom. The racks can be easily removed and arranged at various levels. For better results with conventional baking, **DO NOT** use more than one rack at a time. It is also recommended, when using two racks, to bake with the racks in positions 2 and 4 or positions 3 and 5.

Using the Oven

Oven Preheat

The oven temperature can reach a temperature of aprox 400°F in 14 minutes in static function. Please consider this during the pre-heat process of the oven.

Conventional vs Convection Cooking

Because of variations in food density, surface texture and consistency, some foods may be prepared more successfully using the conventional bake setting. For this reason, conventional baking is recommended when preparing baked goods such as custard. The user may find other foods that are also prepared more consistently in conventional bake. It is recommended to use this function for single-rack baking.

Please note that to pre-heat our SUPERIORE all-gas ovens, convention fan(s) MUST NOT be used; its/theirs use will slow down pre-heat times.

Analog Thermometer (available on 36" and 30" ranges only)

This is not an electrical device, so it even works if the range is not connected to the power outlet. This thermometer roughly shows the inner temperature of the main oven when this one is operated and it can have a deviation according to the type of cooking and the type of oven function. It isn't a control of inner temperature.

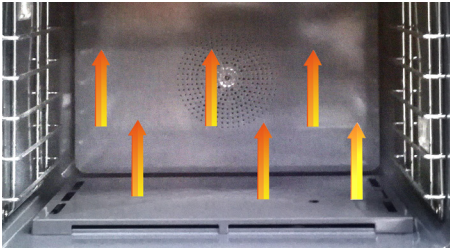
The control of the temperature is always done by thermostat, that is activated by the knob and that has on it the oven target temperatures.



Baking

BAKE (Natural Airflow Bake)

Full power heat is radiated from the bake burner in the bottom of the oven cavity and is circulated with natural airflow. This function is recommended for single rack baking. Many cook books contain recipes to be cooked in the conventional manner. Conventional baking is suitable for dishes that require a high temperature. Use this setting for baking and casseroles.



To Use BAKE Function

1. Arrange the oven rack in the desired position before turning the oven on and close the door.
2. Push and hold the oven control knob for at least one second. Release and turn it anticlockwise, setting the desired temperature. This sequence must be performed within seven seconds. If you hear a clicking sound while lighting up the oven, this is appropriate.

Note: if the oven does not light up after five attempts, open the oven door and let the gas out; for your safety, open the window of the kitchen.

Baking Tips

- Make sure the oven racks are in the desired position before you turn on the oven.
- **DO NOT** open the door frequently during baking. Look through the door window to check doneness whenever possible. If you must open the door, the best time is during the last quarter of the baking time.
- Bake to the shortest time suggested and check for doneness before adding more time. For baked food, a stainless steel knife placed in the center of the product should come out clean when done.
- Use the pan size and type recommended by the recipe to ensure best results. Cakes, quick breads, muffins, and cookies should be baked in shiny, reflective pans for light, golden crusts. Avoid the use of old, darkened pans. Warped, dented, stainless steel and tin-coated pans heat unevenly and will not give uniform baking results.

Food	Pan size	Single rack position	Temperature	Time (min)
ENTREES				
Eggs rolls	Cookie sheet	3 or 4	400F°(204°C)	25-30
Fish sticks	Cookie sheet	3 or 4	425°F(218°C)	10-15
Lasagna, frz	Cookie sheet	3 or 4	375F°(191°C)	55-60
Pot pie	Cookie sheet	3 or 4	400F°(204°C)	35-40
Gr. peppers stuffed	13" x 9"	3 or 4	375F°(191°C)	60-70
Quiche	9" round	3 or 4	400F°(204°C)	25-30
Pizza, 12"	Cookie sheet	3 or 4	400F°(204°C)	15-20
Mac. & cheese, frz	Cookie sheet	3 or 4	375F°(191°C)	35-40
VEGETABLES				
Baked potatoes	On rack	3 or 4	375F°(191°C)	60-65
Spinach souffle	1 qt. casserole	3 or 4	350F°(177°C)	45-50
Squash	Cookie sheet	3 or 4	375F°(191°C)	50-55
French fries	Cookie sheet	3 or 4	425°F(218°C)	20-25

***Note:** The above information is given as a guide only

Baking

Food	Pan size	Single rack position	Temperature	Time (min)
BREADS				
Biscuits	Cookie sheet	3 or 4	400F°(204°C)	10 -12
Yeast loaf	Loaf pan	3 or 4	375F°(191°C)	30-35
Yeast rolls	Cookie sheet	3 or 4	400F°(204°C)	12-15
Nut bread	Loaf pan	3 or 4	375F°(191°C)	30-35
Combread	8"x 8"	3 or 4	400F°(204°C)	25-30
Gingerbread	8"x 8"	3 or 4	350F°(177°C)	35-40
Muffins	Muffin tin	3 or 4	375F°(191°C)	15-20
Corn muffins	Muffin tin	3 or 4	375F°(191°C)	15-20
CAKE				
Angel food	Tube pan	3 or 4	375F°(191°C)	35-45
Bundt	Tube pan	3 or 4	350F°(177°C)	45-55
Cupcakes	Muffin pan	3 or 4	350F°(177°C)	16-20
Layers, sheet	13"x 9"	3 or 4	350F°(177°C)	40-50
Layers, two	9" round	3 or 4	350F°(177°C)	30-35
Pound	Loaf pan	3 or 4	350F°(177°C)	60-65
COOKIES				
Brownies	13"x 9"	3 or 4	350F°(177°C)	25-30
Choc.chip	Cookie sheet	3 or 4	375F°(191°C)	12-15
Sugar	Cookie sheet	3 or 4	375F°(191°C)	10-12
PASTRY				
Cream puffs	Cookie sheet	3 or 4	400F°(204°C)	30-35
PIES				
Crust, unfilled	9" round	3 or 4	400F°(204°C)	10-12
Crust, filled	9" round	3 or 4	350F°(177°C)	55-60
Lemon meringue	9" round	3 or 4	350F°(177°C)	12-15
Pumpkin	9" round	3 or 4	350F°(177°C)	35-40
Custard	6-4 oz cups	3 or 4	350F°(177°C)	35-40

Baking

Solving Baking Problems

Baking problems can occur for many reasons. Check the chart below for the causes and remedies for the most common problems. It is important to remember that the temperature setting and cooking times you are accustomed to using with your previous oven may vary slightly from those required with this oven. If you find this to be true, it is necessary for you to adjust your recipes and cooking times accordingly.

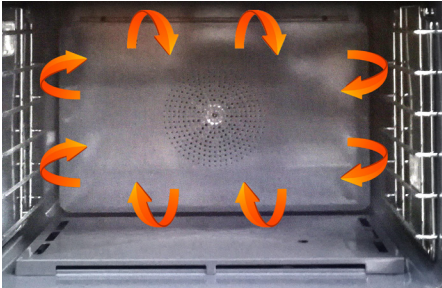
Common Baking Problems/Remedies

Problems	Cause	Remedy
Cakes burned on the sides or not done in center	<ol style="list-style-type: none">1. Oven was too hot2. Wrong pan size3. Too many pans	<ol style="list-style-type: none">1. Reduce temperature2. Use recom. pan size3. Reduce no. of pans
Cakes crack on top	<ol style="list-style-type: none">1. Batter too thick2. Oven too hot3. Wrong pan size	<ol style="list-style-type: none">1. Follow recipe Add liquid2. Reduce temperature3. Use recom. pan size
Cakes are not level	<ol style="list-style-type: none">1. Batter uneven2. Oven or rack not level3. Pan was warped	<ol style="list-style-type: none">1. Distribute batter even2. Level oven or rack3. Use proper pan
Food too brown on bottom	<ol style="list-style-type: none">1. Oven door opened too often2. Dark pans being used3. Incorrect rack position4. Wrong bake setting5. Pan too large	<ol style="list-style-type: none">1. Use door window to bottom check food2. Use shiny pans3. Use recom. rack position4. Adjust to conventional or convection setting as needed5. Use proper pan
Food too brown on top	<ol style="list-style-type: none">1. Rack position too high2. Oven not preheated3. Sides of pan too high	<ol style="list-style-type: none">1. Use recom. rack position2. Allow oven to preheat3. Use proper pans
Cookies too flat	<ol style="list-style-type: none">1. Hot cookie sheet	<ol style="list-style-type: none">1. Allow sheet to cool between batches
Pies burned around edges	<ol style="list-style-type: none">1. Oven too hot2. Too many pans used3. Oven not preheated	<ol style="list-style-type: none">1. Reduce temperature2. Reduce no. of pans3. Allow oven to preheat
Pies too light on top	<ol style="list-style-type: none">1. Oven not hot enough2. Too many pans used3. Oven not preheated	<ol style="list-style-type: none">1. Increase temperature2. Reduce no. of pans3. Allow oven to preheat



Convection Bake

CONVECTION BAKE

Heat is radiated from the bake burner in the bottom of the oven cavity. The heated air is circulated by the fans in the rear of the oven providing a more even heat distribution. Multiple rack use is possible for the largest baking job. When roasting, cool air is quickly replaced searing meats on the outside and retaining more juices and natural flavor on the inside with less shrinkage. This even circulation of air equalizes the temperature throughout the oven cavity and eliminates the hot and cold spots found in conventional ovens.



To Use CONVECTION BAKE Function (only on main oven)

1. Arrange the oven rack in the desired position before turning the oven on and close the door.
2. Push and hold the oven control knob for at least one second. Release and turn it anticlockwise, setting the desired temperature. This sequence must be performed within seven seconds. If you hear a clicking sound while lighting up the oven, this is appropriate.
3. Activate the "Convection fan" pushing the appropriate button on the control panel 
4. To activate "Oven lights" push the related button on the control panel 

Note: if the oven does not light up after five attempts, open the oven door and let the gas out; for your safety, open the window of the kitchen.

Convection Cooking Tips

Convection cooking is a cooking technique which utilizes fan-forced air to circulate throughout the entire oven cavity creating the optimum cooking environment. Cooking with convection is intended when performing multi-rack baking and for heavier foods. Below are some tips which will allow you to get the best results out of your oven when cooking with convection.

- As a general rule, to convert conventional recipes to convection recipes, reduce the temperature by 25°F (10°C) when using a convection cooking function.
- Cooking times for standard baking and convection baking will be the same. However, if using convection to cook a single item or smaller load, then it is possible to have 10-15% reduction in cooking time. (Remember convection cooking is designed for multi-rack baking or cooking large loads.)
- If cooking items which require longer than 45 minutes, then it is possible to see a 10-15% reduction in cooking time.
- A major benefit of convection cooking is the ability to prepare foods in quantity. The uniform air circulation makes this possible. Foods that can be prepared on two or three racks at the same time include: pizza, cakes, cookies, biscuits, muffins, rolls, and frozen convenience foods.
- For three-rack baking, use any combination of rack positions 2, 3, 4, and 5. For two-rack baking, use rack positions 2 and 4 or positions 3 and 5. Remember that the racks are numbered from bottom to top.

Pan Placement Tips

- When using large (15" x 13") flat pans or trays that cover most of the rack, rack positions 2 or 3 produce the best results.
- When baking on more than one rack, it is recommended to use the 3rd and 5th position for more consistent even baking.
- Stagger pans in opposite directions when two racks and several pans are used in conventional bake. If possible, no pan should be directly above another.
- Allow 1 to 2 inches of air space around all sides of each pan for even air circulation.




Single rack pan placement



Multiple rack pan placement

Defrost

Air is circulated by motorized fan in the rear of the oven. The fan accelerates natural defrosting of the food without heat. To avoid sickness and food waste, **DO NOT** allow defrosted food to remain in the oven for more than two hours.

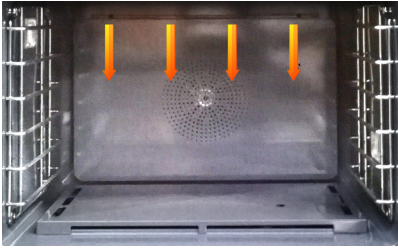
1. Place the frozen food on a baking sheet.
2. Turn the selector to  and set the temperature to "OFF".



WARNING

To avoid sickness and food waste, **DO NOT** allow defrosted food to remain in the oven for more than two hours.

Broiling



BROIL

Heat radiates from the broiler located at the top of the oven cavity. The distance between the foods and the broil elements determines broiling speed. For “fast” broiling, food may be as close as 2 inches (5 cm) to the broil element. “Fast” broiling is best for meats where rare to medium doneness is desired. Use this setting for broiling small and average cuts of meat.

Broiling Instructions

Broiling is a dry-heat cooking method using direct or radiant heat. It is used for small, individualized cuts such

as steaks, chops, and patties. Broiling speed is determined by the distance between the food and the broil element. Choose the rack position based on desired results.

To Use Broil

1. Arrange the oven rack in the desired position before turning the oven on and close the door.
2. Push and hold the oven control knob for at least one second. Release and turn it clockwise to the broil position. This sequence must be performed within seven seconds. If you hear a clicking sound while lighting up the broil, this is appropriate.
3. To activate “Oven lights” push the related button on the control pane. ⚙️

NOTE: IF YOU SELECT THE CONVECTION FAN WILL NOT WORK! THIS MUST BE CONSIDERED APPROPRIATE.

Broiling Tips

- **ALWAYS** use the enamelled tray and trivet for broiling. They are designed to provide drainage of excess liquid and fat away from the cooking surface to help prevent splatter, smoke, and fire.
- To keep meat from curling, slit fatty edge.
- Brush chicken and fish with butter several times as they broil to prevent drying out. To prevent sticking, lightly grease broiler tray.
- Broil on first side for slightly more than half the recommended time, season, and turn. Season second side just before removing.
- **ALWAYS** pull rack out to stop position before turning or removing food.
- Use tongs or a spatula to turn meats. **NEVER** pierce meat with a fork, as this allows the juices to escape.
- Remove the enamelled tray from the oven when you remove the food. Drippings will bake onto the pan if it is left in the heated oven after broiling.

Rack Positions for Broiling

Note: Position 1 is the closest to the broiler and position 6 is the closest to the oven bottom.



Broiling

Broiling Chart

Type and Cut of Meat	Weight	Setting	Rack	Time (min)
BEEF				
Sirloin 1"				
Rare	12 oz	Broil	3	4
Medium	12 oz	Broil	3	5
Well done	12 oz	Broil	3	6
T-Bone 3/4"				
Rare	10 oz	Broil	3	4
Medium	10 oz	Broil	3	6
Well done	10 oz	Broil	3	8
Hamburger 1/2"				
Medium	1/4 lb.	Broil	3	6
Well done	1/4 lb.	Broil	3	8
CHICKEN				
Bnls breast 1"	1/2 lb.	Broil	3	15
Bone-in breast	2-3 lbs. total	Broil	1	22
Chicken pieces	2-3 lbs. total	Broil	3	22
HAM				
Ham slice 1"	1 lb.	Broil	3	10
PORK				
Bacon		Broil	2	3
FISH				
Salmon steak	1 lb.	Broil	2	8
Fillets	1 lb.	Broil	2	8

Note: The above information is given as a guide only.

Care and cleaning

Important!

Before you start cleaning your range, please:

- Read these cleaning instructions and the 'Safety and warnings' section at the start of this user guide.
- Turn the range off.
- Make sure the range is a safe temperature to touch.
- Do not use a steam cleaner.
- Do not keep flammable substances in the oven.

General advice

- Wipe down the worktop and wipe out the oven after every use.
- Wipe up spills. Avoid leaving alkaline or acidic substances (such as lemon juice or vinegar) on the surfaces.
- Do not use cleaning products with a chlorine or acidic base (ie citrus-based cleaners).

Cleaning the outside of the range

Important!

- Do not use abrasive cleaners, cloths or pads on the outside surfaces.
- Immediately wipe off any caustic cleaners if they are spilled onto the oven door handle.

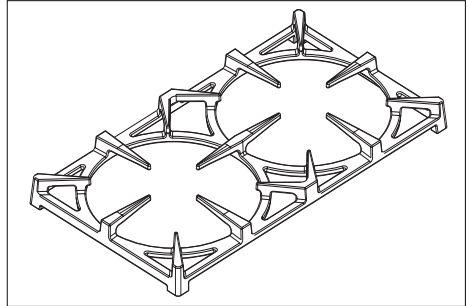
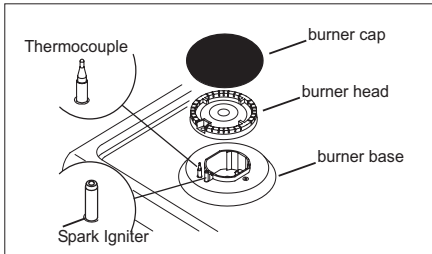
Wipe the outside surfaces often, using warm water and a mild household detergent. The stainless steel may also be cleaned with a suitable cleaner and polish.

Note: if you choose to use a commercial stainless steel cleaner, please read the label to make sure it does not contain chlorine compounds as these are corrosive and may damage the appearance of your range.

Cleaning and Maintenance

Any piece of equipment works better and lasts longer when maintained properly and kept clean. Cooking equipment is no exception. Your range must be kept clean and maintained properly. Before cleaning, make sure all controls are in the "OFF" position. Disconnect power if you are going to clean thoroughly with water.

Surface Burner



Wipe up spill-overs as soon as possible after they occur and before they get a chance to burn in and cook solid. In the event of a spill-over, follow these steps:

- Allow the burner and grate to cool to a safe temperature level.
- Lift off the burner grate. Wash in warm soapy water.
- Remove the burner cap and burner head and clean.

Burner Caps

The surface burner caps should be routinely removed and cleaned.

ALWAYS clean the burner caps after a spill-over. Keeping the burner caps clean will prevent improper ignition and uneven flames. To clean, pull burner cap straight up from the burner base. Wipe off surface burner caps with warm, soapy water and a soft cloth after each use. Use a non-abrasive cleanser and a soft brush or soft Scotch Brite™ pad for cooked-on foods. Dry thoroughly after cleaning. For best cleaning and to avoid possible rusting, **DO NOT** clean in dishwasher.

Burner Head

If ports on burner head are clogged, clean with a straight pin. **DO NOT** enlarge or distort the ports. **DO NOT** use a toothpick to clean the ports.

Burner Base

The base should be wiped regularly with hot soapy water at the end of each cooling period. **DO NOT** use steel wool, abrasive cloths, cleanser, or powders. To remove encrusted materials, soak the area with a hot towel to loosen the material, then use a wooden nylon spatula. **DO NOT** use a metal knife, spatula, or any other metal tool to scrape the aluminum base.

- Wipe up any spills which remain on the sealed top surface.
- Replace burner cap, burner head, and grates after drying thoroughly.

Control Panel

DO NOT use any cleaners containing ammonia or abrasives. They could remove the graphics from the control panel. Use hot, soapy water and a soft clean cloth.

Oven Surfaces

Several different finishes have been used in your oven. **NEVER** USE AMMONIA, STEEL WOOL PADS OR ABRASIVE CLOTHS, CLEANSERS, OVEN CLEANERS, OR ABRASIVE POWDERS. THEY CAN PERMANENTLY DAMAGE YOUR OVEN.

Cleaning and Maintenance

Control Knobs

MAKE SURE ALL THE CONTROL KNOBS POINT TO THE OFF POSITION BEFORE REMOVING. Pull the knobs straight off. Wash in detergent and warm water. Dry completely and replace by pushing firmly onto stem. **DO NOT** use any cleaners containing ammonia or abrasives. They could remove the graphics from the knob.

Stainless Steel Parts

All stainless steel body parts should be wiped regularly with hot soapy water at the end of each cooling period and with a liquid cleaner designed for that material when soapy water will not do the job. **DO NOT** use steel wool, abrasive cloths, cleansers, or powders. If necessary, scrape stainless steel to remove encrusted materials, soak the area with hot towels to loosen the material, then use a wooden or nylon spatula or scraper. **DO NOT** use a metal knife, spatula, or any other metal tool to scrape stainless steel. **DO NOT** permit citrus or tomato juice to remain on stainless steel surface, as citric acid will permanently discolor stainless steel. Wipe up any spills immediately.

Glass Surfaces

Clean with detergent and warm water. Glass cleaner can be used to remove fingerprints. If using glass cleaner ammonia, make sure that it does not run down on exterior door surface.

Oven Racks

Clean with detergent and hot water. Stubborn spots can be scoured with a soap-filled steel wool pad.



WARNING



BURN OR ELECTRICAL SHOCK HAZARD

Make sure all controls are OFF and oven is COOL before cleaning. Failure to do so can result in burns or electrical shock.

Replacing Oven Light

 **WARNING**



ELECTRICAL SHOCK HAZARD

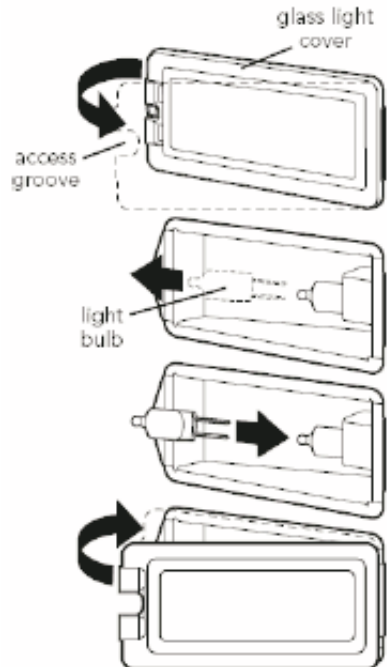
Disconnect the electric power at the main fuse or circuit breaker before replacing bulb.

 **WARNING**

DO NOT touch bulb with bare hands. Clean off any signs of oil from the bulb and handle with a soft cloth.

DO NOT touch bulb with bare hands. Clean off any signs of oil from the bulb and handle with a soft cloth.

1. Unsnap glass light cover using a screwdriver in the access groove.
2. Firmly grasp light bulb and pull out.
3. Replace with halogen bulb using volt and wattage requirements listed on glass cover.
4. Replace the light cover by snapping glass cover onto metal box.
5. Reconnect power at the mainfuse or circuit breaker.



Door Removal



WARNING

TO PREVENT PERSONAL INJURY

Before removing the doors, make sure the pins are properly installed in the hinges. Failure to do so can result in personal injury to hands and/or fingers.

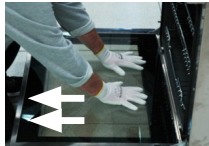
The door can be completely disassembled to guarantee the general cleaning, of the glasses and the other parts. To disassemble the door you must observe the following procedure.

- Open the door and fix the pin as indicated in picture 1.
- Put the hands on the internal glass surface, in the center, generate a small pressure and after slide back the glass, as indicated in picture 2.
- Grasp the glass, rotate and remove as indicated in pictures 3 and 4.

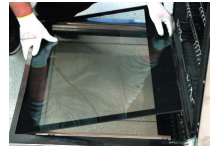
①



②



③



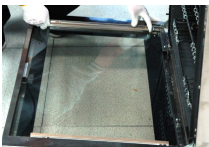
④



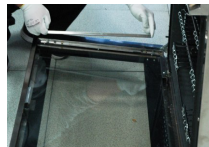
Door Replacement and Adjustment

- Grasp the bars and remove as indicated in pictures 5 and 6.
- Grasp the intermediate glass, rotate and remove as indicated in pictures 7 and 8.

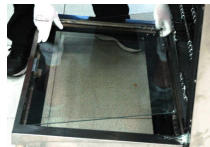
⑤



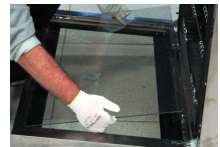
⑥



⑦



⑧



Assemble again the door repeat all the operations but exactly one after the other in the reverse sequence.

Before closing the door don't forget to remove the pins.

Thanksgiving dinner, SUPERIORE's way



DAY BEFORE (if possible): PUMPKIN filling & STUFFING

PUMPKINPIE

Ingredients: 1 very large pumpkin or 2 small to medium-sized pumpkins (to make 2 pies) min. 5 - 7 lb.

Slice portion off top of pumpkin and save the "lid". Remove the seeds and strings (all the pulp). Put entire pumpkin in a pan, with the lid back on top, then pour a cup or two cups of water in pan.

Bake at 350° (180-190°) for about 1 to 1½ hours, depends on the size of the pumpkin. Using a fork to check, cook until tender and falls apart. Remove from oven and either just pare -peel off skin- or cut pumpkin to scrape out the insides. This should give you enough pumpkin for several pies. Then follow the recipe. You can decide whether to make the pies the day before or not. Depends on time available and oven!

Follow instructions for Pumpkin Pie recipe.

BEGIN THE 1st PART FOR THE GIBLET STUFFING for TURKEY

Ingredients: the innards from the turkey, 1 stalk celery, poultry seasoning or bouillon cube for poultry.

Simmer heart, liver, gizzard and neck in water <about 3 cups> with 1 stalk of celery and poultry seasoning or bouillon cube for poultry. Simmer until tender, check with a fork. About 1 hour. Cool and chop (mince or cube) into small pieces. Throw away celery. Keep liquid (broth) and meat in separate containers in refrigerator until ready to prepare and add to Turkey the next day. Turkey is prepared on the morning or mid-morning of Thanksgiving Day.

Follow instructions for Turkey preparation.

Thanksgiven dinner, SUPERIORE's way

THANKSGIVING DAY:

2nd PART GIBLET STUFFING:

Ingredients: 1 box seasoned bread crumbs (12 cups croutons)

1 onion diced

2-3 celery stalks cut up

1 teaspoon of pepper

1 tablespoon of sage

1 tablespoon thyme

1 tablespoon poultry seasoning or bouillon cube for flavor
broth from day before

innards/meat from day before

1 cup of butter

additional chicken broth and/or water (where necessary)

Remove the broth and meat that you prepared the day before from the refrigerator. In a pan, put enough butter to lightly cook the onion almost sautéed, slight yellow color; stirring occasionally.

Then lower flame and stir in a portion of the bread crumbs, and a bit of broth, (note: stir to prevent excess browning), then add more bread crumbs and broth, add in cut up celery stalks, sage, pepper, thyme and meat.

Remove from heat and mix lightly in a deep bowl. Mixture should just be damp/slightly wet, pliable. Set aside until Turkey is ready to be stuffed.

ROASTING TURKEY

Ingredients: 10 - 12lb. Turkey (order in advance from favorite butcher)

a small amount of butter

salt and pepper

Giblet stuffing

Preheat oven to 325-350° (170-180°). Clean the turkey. Then place a small amount of butter inside by trying to coat the inside cavity. Then sprinkle cavity with a bit of salt and pepper. Stuff turkey in both cavities main body and lower body area with the giblet stuffing, close with either oven hooks, pins or cord. Place turkey in already preheated oven. Cook at 325-350° (170-180°) for 4 to 5 hours. When turkey starts to leave drippings, spoon or baste the liquid onto the turkey again, do this every 15-20 minutes until thoroughly cooked.

MASHED POTATOES

Ingredients: 1-1½ potatoes per person (n. of guests X 1 or 1½)

milk

butter

salt (and pepper if desired)

Boil potatoes until tender. Drain and cool then peel. Smash potatoes, add in milk a pat of butter and salt. Using blender, fork etc. until desired texture/consistency is obtained.

BROWN-SUGARED CARROTS

Ingredients: 1½ carrots per person

brown sugar

butter

Thanksgiving dinner, SUPERIORE's way

Boil carrots until slightly tender. Drain, then remove and dice into circles. In a sauté pan melt butter and add in diced carrots, sauté until more tender, add in brown sugar and if too dry add in a bit more butter and stir and sauté until brown sugar is melted and coats the carrots.

PUMPKIN PIE (2 pies)

Ingredients: 1½ cups sugar
¼ tsp. salt
4 tsp. cinnamon
1 tsp. ginger
½ tsp. ground cloves
4 eggs (or 1 egg and 6 egg whites)
3½ cups pumpkin
3 cups evaporated milk

Combine sugar, salt, cinnamon, ginger and cloves in medium bowl. Beat eggs slightly in large bowl. Stir and add in pumpkin and sugar and spice mixture from medium bowl. Mix well, then gradually add the evaporated milk. Pour in to pie crust shells and Bake at 425° (220°) for 15 minutes, then lower oven temperature to 350° (180°). Bake for another 40 to 50 minutes or until point that when you insert a knife or toothpick in the center of the pie, and pull it out it is clean. Cool on wire rack for 3 hours. Serve immediately or chill (do not freeze). Serve with whipped cream.

APPLE PIE

Ingredients per pie: 7-8 apples (Granny Smith is best)
1 cup sugar
2 tbsp flour
2 heaping tbsp. (3 succ.) cinnamon
100 gr butter

Thinly slice apples. Mix sugar, flour and cinnamon together in a large bowl. Add the apples to this and mix. Place mixture in pie shell and then put small pieces of butter on top of mixture. Place top crust over this, and join pieces, and cover edge with aluminum foil. Bake at 425° (220°) 25-30 minutes. Do not make slits in top crust! As an extra: you can baste the top of the pies with a small amount of heated butter and then sprinkle with sugar and cinnamon and place back in oven for the remaining time to finish baking. Serve hot with vanilla ice-cream!

COUNTRY PAN GRAVY

Ingredients: drippings from turkey
¼ cup flour
½ cup milk
salt and pepper
1 bouillon cube for poultry

Remove Turkey from pan. Place pan on stove with low heat. Mix flour and milk with wire whip in deep bowl. Slowly add this mixture to the drippings in the pan. Mixture should become thicker. If too thick, then add more milk to pan gravy and crumble and add bouillon cube, salt and pepper to this. Serve over mashed potatoes and stuffing!

Service Information

If service is required, call your dealer or authorized service agency.

The name of the authorized service agency can be obtained from the dealer or distributor in your area, or calling 1-844-322-2111, for the USA, and 1-800-205-6450 for Canada.

Have the following information readily available.

- Model number
- Serial number
- Purchase date
- Name of dealership reference.
- Clearly describe the problem that you are having.

Record the information indicated below. You will need it if service is ever required.

The model and serial number can be found by looking in the last page of this booklet. A duplicate label is located on the back side of the range.

Model no. _____ Serial no. _____

Date of purchase _____ Date installed _____

Dealer's name _____

Address _____

If service requires installation of parts, use only authorized parts to insure protection under warranty.

Keep this manual for future reference.

Troubleshooting

Problem	Possible Cause and /or Remedy
Range will not work.	Range is not connected to electrical power: Have electrician check power circuit breaker, wiring, and fuses.
Oven light will not work.	Light bulb is burned out. Range is not connected to power.
Igniters will not work.	Circuit is tripped. Fuse is blown. Range is not connected to power.
Igniters sparking but no flame ignition.	Gas supply is interrupted.
Igniters sparking continuously after flame ignition.	Power supply is not grounded. Power supply polarity is reversed. Igniters are wet or dirty.
Burner ignites but flame is large, distorted, or yellow.	Burner ports are clogged. Unit is being operated on wrong type of gas. Air shutters not properly adjusted.
Strong odor and/or smoke is noticed first few times oven is used.	This is normal burn off of insulation and protective oils in oven. This will go away after using oven a few times.

WARRANTY U.S.A & CANADA

Please record your model (MOD) and serial number (S/N) below for future reference. For your convenience, a label containing this information is supplied with this booklet. When writing or calling about a service problem, please include the following information:

- your name, address and telephone number
- appliance model and serial number
- name and address of your dealer
- a clear description of the problem you are having
- proof of purchase (sales receipt)

MOD: _____

S/N: _____

SUPERIORE WARRANTY TWO YEARS PARTS AND LABOR

For two year from the date of the original purchase, SUPERIORE will repair or replace (at its option) any part of the range which fails due to a defect in materials or workmanship. During this warranty, SUPERIORE will provide, free of charge, all labor and in-home service to repair or replace the defective part. This warranty is extended to the original purchaser and any succeeding owner with proper documentation of ownership for products purchased for residential use within the United States of America.

EXCLUSIONS

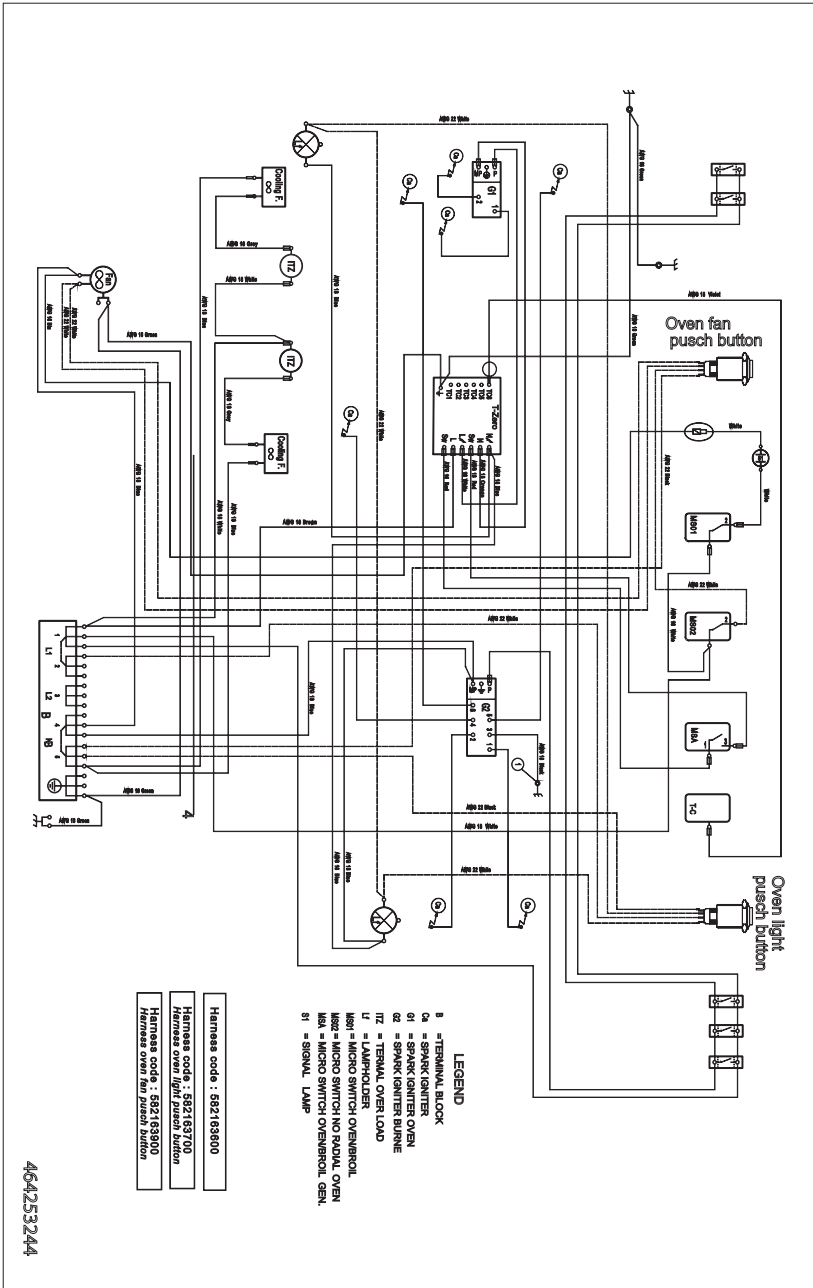
This warranty does not cover any defect or damage, which is not direct fault of SUPERIORE; this includes, but is not limited to:

- 1) Service trips to your home to instruct you how to use the product.
- 2) Service trips to your home, during which no fault is found.
- 3) Damages occurred during transit, handling and/or installation of the product.
- 4) Damages occurred in case the product has not been installed, duly following the manufacturer's installation instructions, as well as any local code or regulation.
- 5) Damages due to failure in following the manufacturer's recommended care, cleaning and maintenance instructions; in particular, damages to the oven and/or the worktop if they have not been cared and cleaned according to these instructions.
- 6) Any repair, modification, alteration, or adjustment provided by any person not authorized by SUPERIORE.
- 7) Failure of the product if it is abused, misused or used for other than the intended purpose or if used commercially/industrially.
- 8) Incorrect electric current, voltage or power supply.
- 9) Improper setting of any control.
- 10) Replacement of house fuses or resetting of circuit breakers.
- 11) Replacement of the light bulbs.
- 12) Wear and tear
- 13) Any substance, accumulating in any part or component of the product.
- 14) Damages to anything situated next to the product, including, but not limited to, ceiling, floor or cabinetry.
- 15) Damage to the product caused by accident, fire, floods or acts of God.
- 16) Expenses for travel and transportation to locations more than 30 miles from an authorized SUPERIORE retailer.
- 17) Products with original serial numbers that have been removed.

The remedies described above are the only ones which SUPERIORE will provide, either under this warranty or under any warranty arising by operation of law. SUPERIORE will not be responsible for any consequential or incidental damages arising from the breach of this warranty or any other warranty, whether express, implied or statutory.

Some States do not allow the exclusion or limitation of incidental or consequential damages. This warranty gives you specific legal rights, and you may also have other rights which vary from state to state. To know what your legal rights are, consult your local state consumer affairs office or your state's Attorney General.

Electric diagram 30" and 36" ranges



SUPERIORE appliances are proudly designed and handcrafted in Gualtieri, Italy
Tecnogas, Tecnogas SUPERIORE and SUPERIORE are registered trademarks of TECNO

TECNO, S.P. 63R n. 111, 42044 Gualtieri (RE), Italy

T. +39 0522 222 161

superiore@tecnogas.it

SUPERIORE

superiore.us
superiore.ca